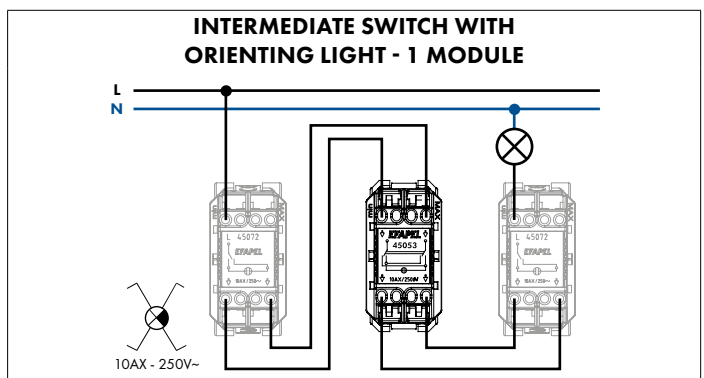
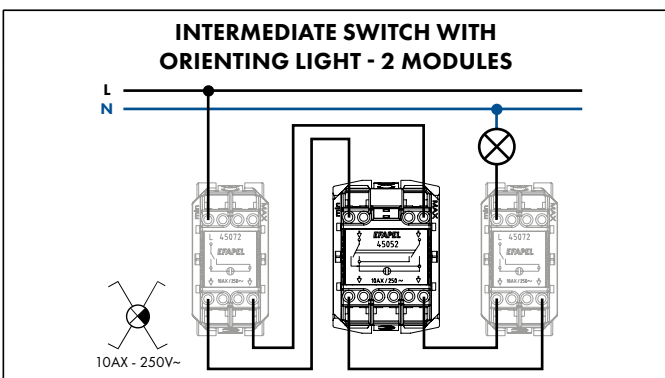
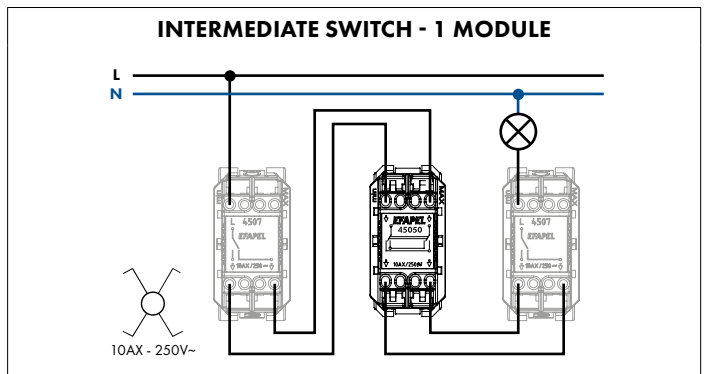
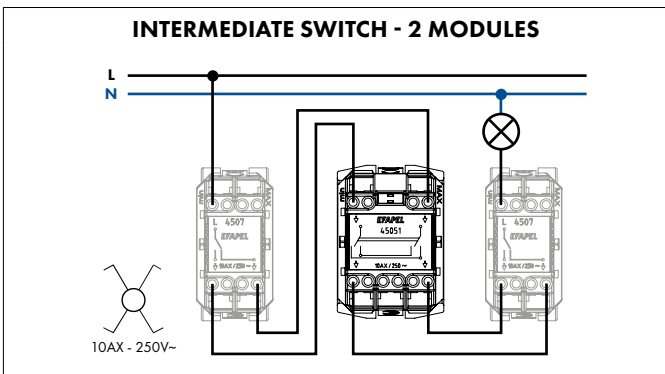
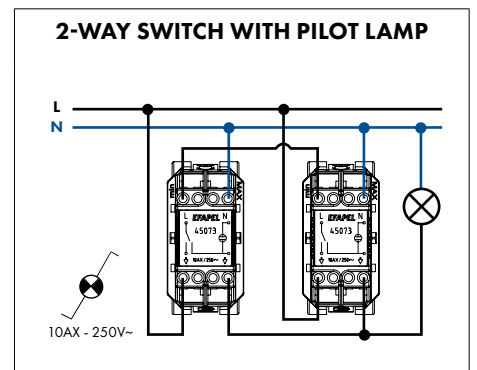
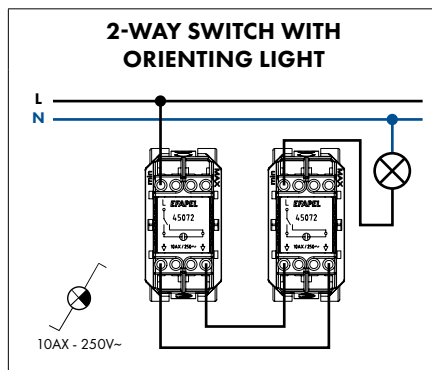
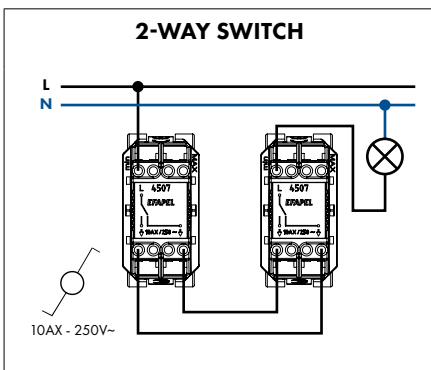
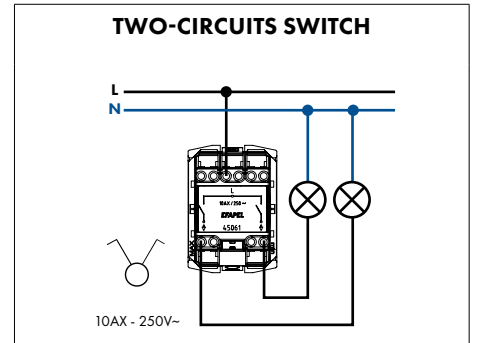
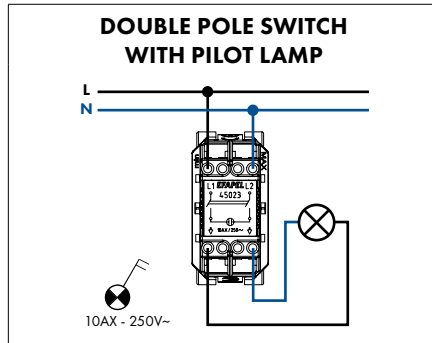
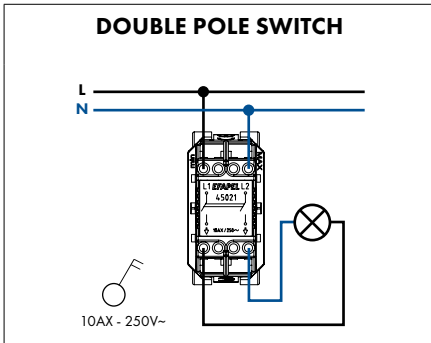
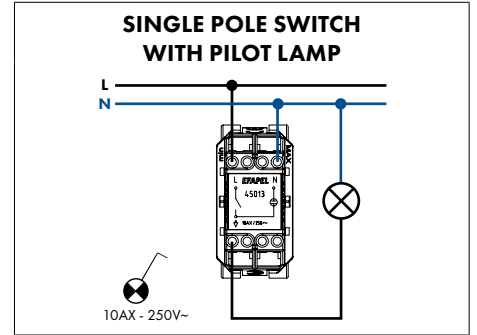
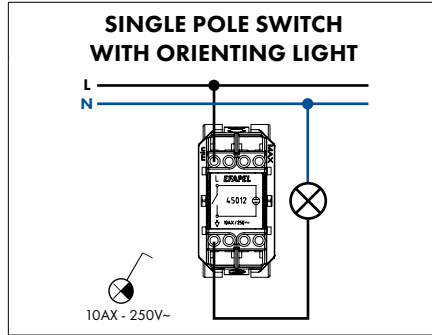
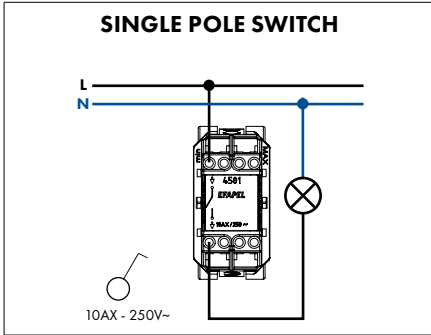


## TECHNICAL INFORMATION

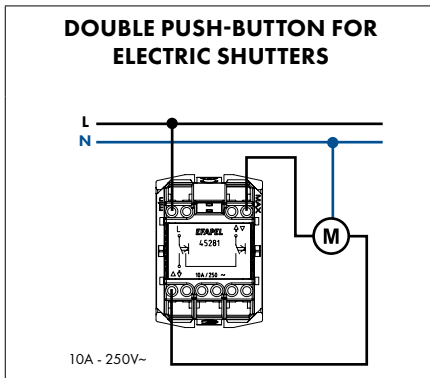
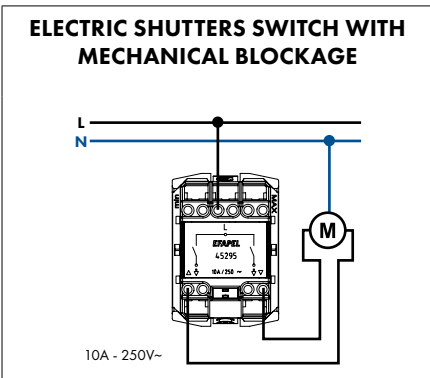
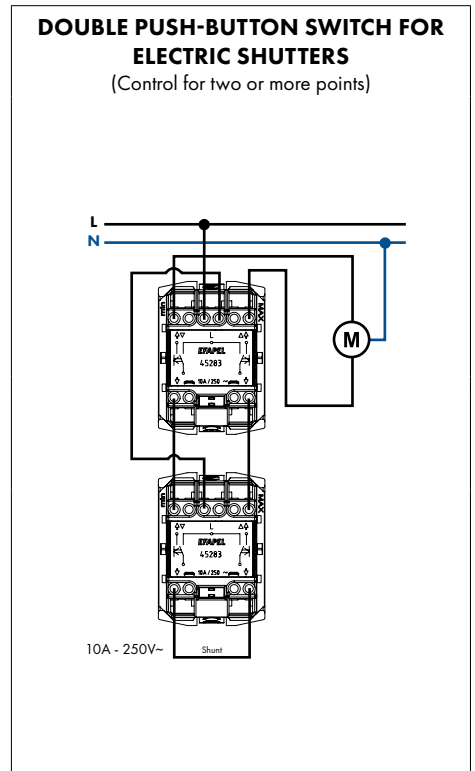
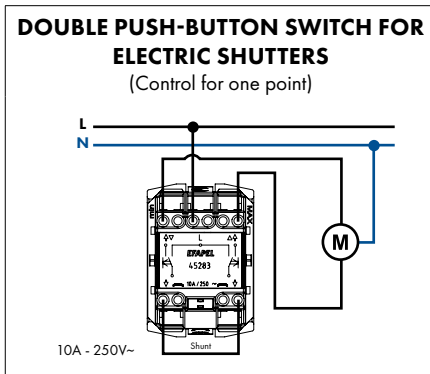
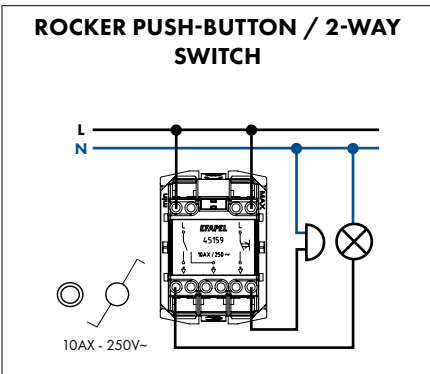
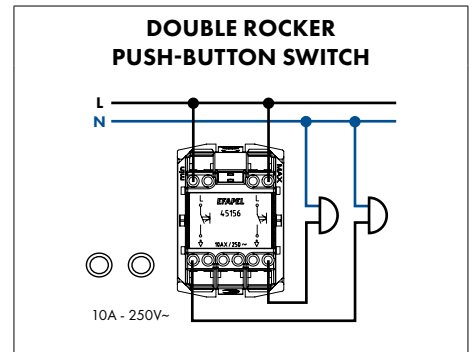
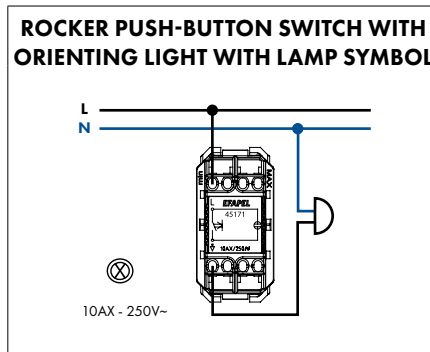
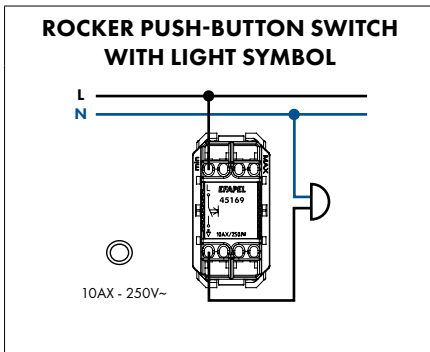
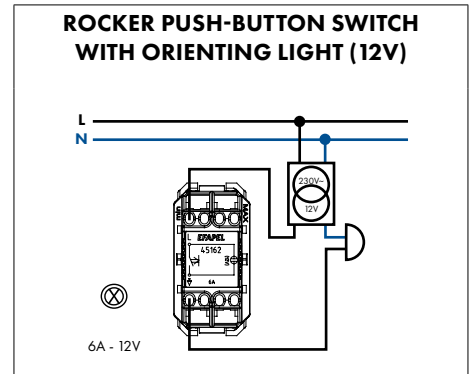
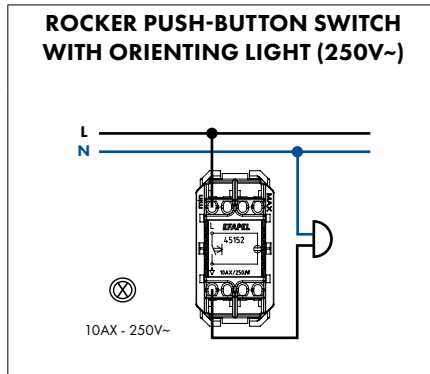
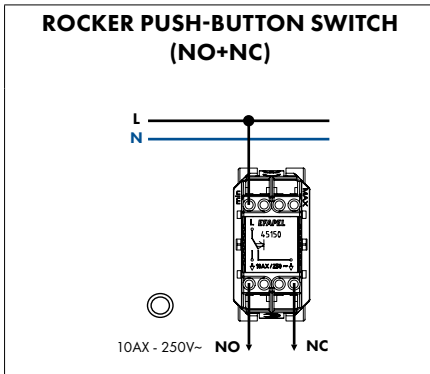
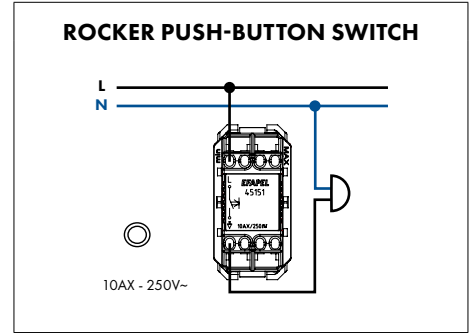
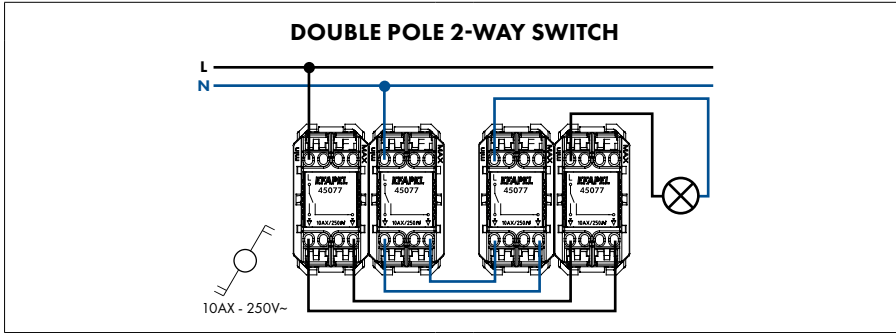
## TABLE OF CONTENTS

	PAGE
■ CONNECTION DIAGRAMS	32
■ <b>MEC Q45</b> MECHANISMS	
■ CONTROL DEVICES	
- Single and Double Switches	35
- Digital Timer Switches	36
- Card-System Timer Switch	37
- Timer Switch	38
- 4-Gang Electronic Press-Button (Very Low Voltage)	39
■ DIMMERS	
- RLC Rotary Dimmer	40
- RLC Dimmer Press-Switch	41
■ MOTION DETECTORS	
- Motion Detector - Wall Installation	42
- Motion Detector	43
■ ORIENTATION AND LIGHT INDICATORS	
- Light Indicator / Triangular Overdoor Light Indicator	44
- White Orientation Light / White Orientation Light with Battery	45
- Electronic Buzzer	46
■ TEMPERATURE CONTROL	
- Rotary Thermostat	47
- Multifunctional Chronothermostat	48
- Multifunctional Thermostat	49
■ ELECTRIC SHUTTER CONTROLLERS	50
■ RELAYS FOR ELECTRIC SHUTTER CONTROLLERS	52
■ DATA, VOICE AND IMAGE SOCKETS	
- HDMI sockets	54
- Data Sockets - USB / VGA / RCA	55
■ CONNECTORS	
- RJ45 UTP Cat. 6A and 6 Connectors	56
■ RADIO / TV / SATELLITE SOCKETS	57
■ USB POWER SOCKETS	59
■ POWER SOCKETS	
- Single and Double Sockets	60
- Double GFCI Sockets	62
■ FRAMES	63
■ SUPPORT FRAMES	67

MEC Q45 - CONNECTION DIAGRAMS

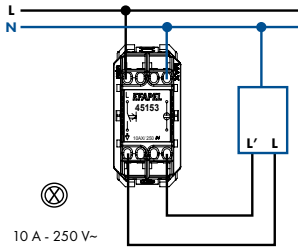


MEC Q45 - CONNECTION DIAGRAMS

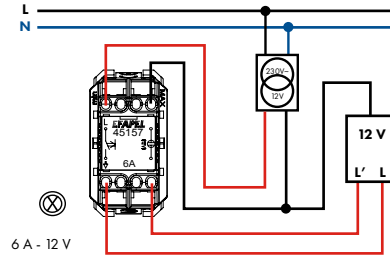


MEC Q45 - CONNECTION DIAGRAMS

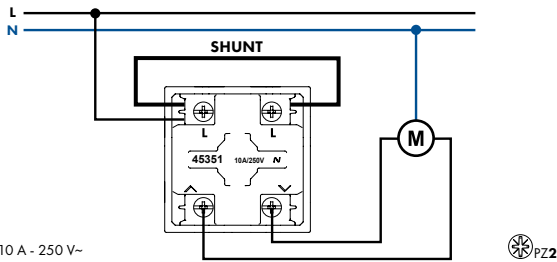
**ROCKER SWITCH WITH INDEPENDENT PILOT LAMP (250 V~) - 1 MODULE**



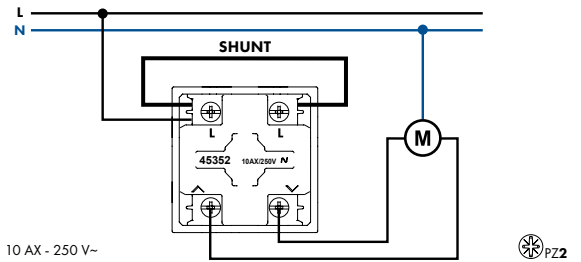
**ROCKER SWITCH WITH INDEPENDENT PILOT LAMP (12 V) - 1 MODULE**



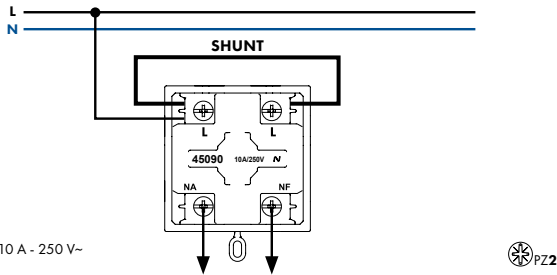
**KEY LOCK PUSH-BUTTON SWITCH - 2 MODULES**



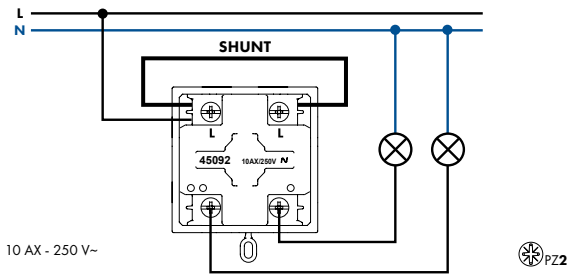
**KEY LOCK 2-WAY SWITCH - 2 MODULES**



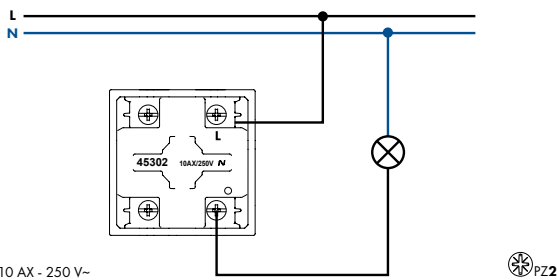
**PUSH-BUTTON PULL CORD SWITCH (NO+NC) - 2 MODULES**



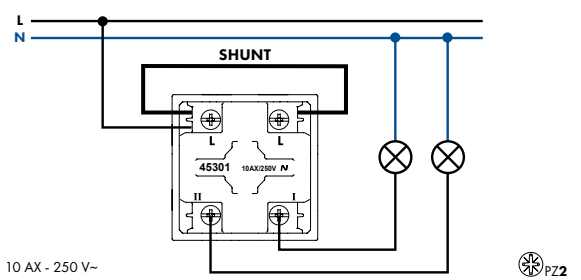
**2-WAY PULL CORD SWITCH - 2 MODULES**



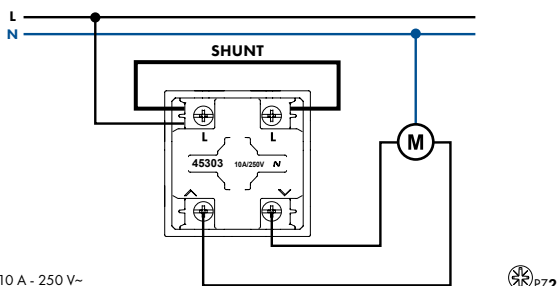
**ROTARY SWITCH - 2 MODULES**



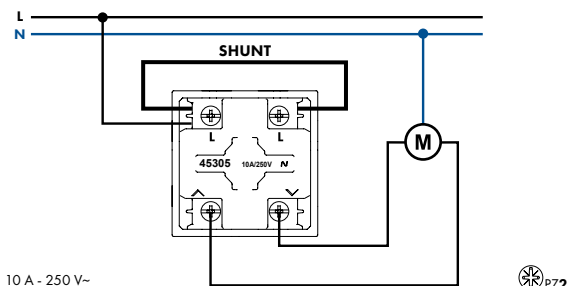
**ROTARY 2-WAY SWITCH - 2 MODULES**



**ROTARY PUSH-BUTTON FOR ELECTRIC SHUTTERS - 2 MODULES**

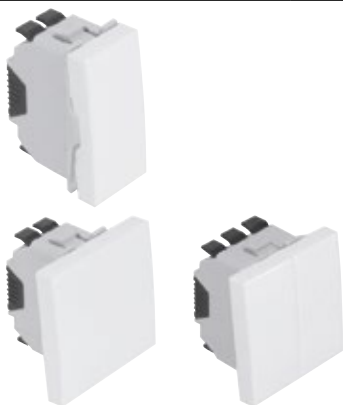


**ROTARY 2-WAY SWITCH FOR ELECTRIC SHUTTERS - 2 MODULES**



MEC Q45 - MECHANISMS

DESCRIPTION



- **MEC Q45** Mechanisms.
- Installation:
  - Flush-mounted (Installed in apparatus box);
  - Surface (Installed in Surface Box);
  - Technical Trunking:
    - Mini Cable Trunking (Using the Surface Box with trunking adaptor);
    - Distribution Trunking (Using the **MEC Q45** Modular Adapter).
- Available in the following colours: **BR** - White (RAL 9003), **BM** - Matte White, **AL** - Aluminium, **PM** - Matte Black.

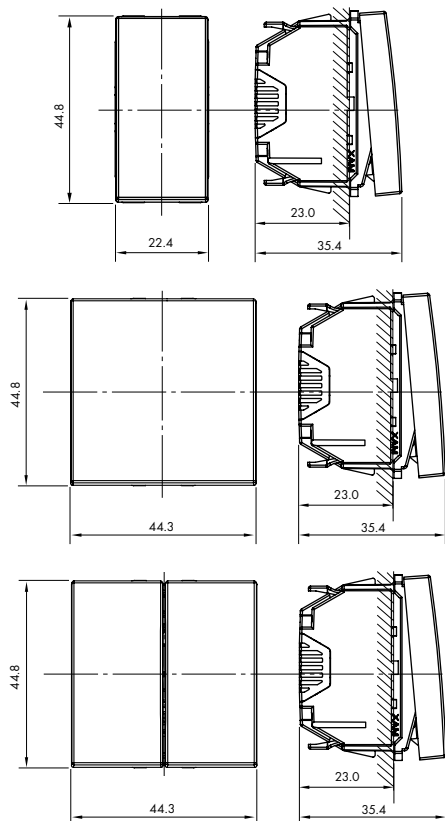
CHARACTERISTICS

- **Technical Thermoplastic Mechanisms - non-conductive resistant material.**
- **Control Devices**
  - 10A - 250V~ - connections with **screw terminals** and **screwless terminals**. It allows the usage of rigid and flexible cable.
  - In accordance with EN 60669-1 Standard, tested according 19.3:

Relationship between rated current of the switch and rated power of the SBL circuit	
Rated current of the switch, $I_n$ [A]	Rated power of the SBL circuit [W]
$I_n \leq 10$	100
$10 < I_n \leq 13$	150
$13 < I_n \leq 16$	200
$16 < I_n \leq 20$	250

SBL - Self Ballasted Lamp (CFL or LED)

DIMENSIONS (mm)



DIGITAL TIMER SWITCHES

DESCRIPTION



DIGITAL TIMER SWITCHES

- Ref. 45041 / 45042 S - MEC Q45 Mechanisms.
- Allows control of an installation or equipment according to a daily or weekly programme.
- Capable of memorising up to 24 operations.
- Automatic summer/winter time change and idle time programme (holidays).

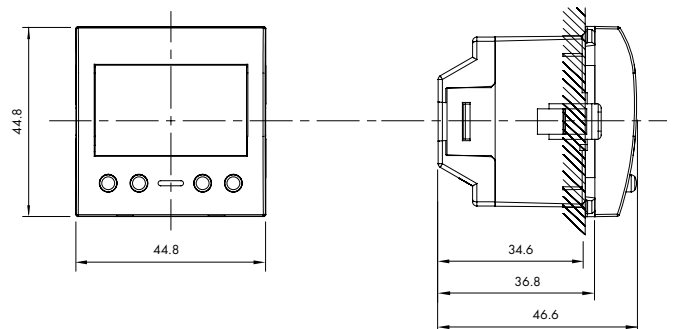
OPERATION

- Manual ON/OFF status switching of each circuit.
- Programmable ON, OFF and PULSE switching (pulses from 1 to 59 seconds) for each circuit independently.

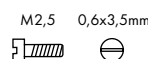
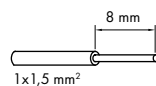
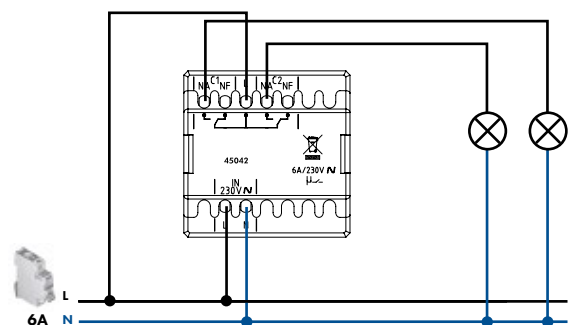
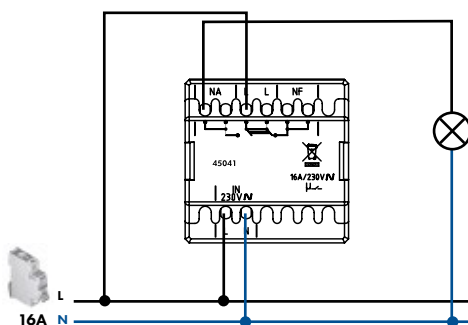
CHARACTERISTICS

- 1 Circuit: 16A (cosφ = 1) - 230V~ - 50/60Hz.
- 2 Circuits: 6A + 6A (cosφ = 1) - 230V~ - 50/60Hz.
- Consumption: < 1W.
- Memory spaces: 24.
- Functions: ON, OFF and PULSE (1 to 59 seconds).
- Programming accuracy: 1 second.
- Operating accuracy: ≤ 1 sec/day.
- Operating temperature: -10°C to +45°C
- Power reserve: 24 hours.
- Outputs: NO + NC.
- Potential-free output contact.

DIMENSIONS (mm)



CONNECTION DIAGRAMS



CARD-SYSTEM TIMER SWITCH

DESCRIPTION



CARD-SYSTEM TIMER SWITCH

■ Ref. 45033 S - MEC Q45 Mechanisms.

OPERATION

- Allows control of a circuit according to the presence of a card in the holder;
- When removing the card from the mechanism, the load remains On / Off for the pre-defined period of time.

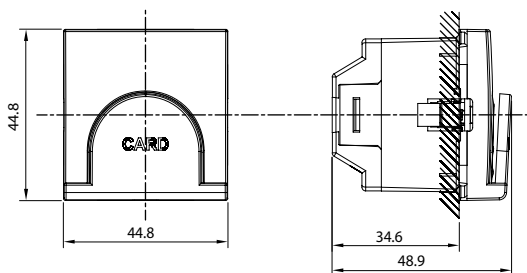
CHARACTERISTICS - TECHNICAL

- Power: 100-240V~, 50/60 Hz;
- Maximum load: 16A (cosφ = 1);
- Adjustable disconnection delay: 0-60 seconds;
- Consumption: < 200mW;
- Operating temperature: -10°C to +45°C;
- Compatible with any load type:
  - Outputs: NO or NC;
  - Potential-free output contact.

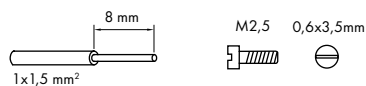
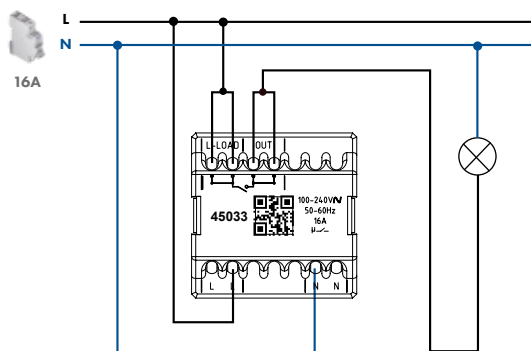
CHARACTERISTICS - DEVICE

- Compatible with any type of bank card (ATM);
- Possibility of inserting a card in the Vertical or Horizontal position;
- Luminous function - whenever a card is inserted, the mechanism remains backlit.

DIMENSIONS (mm)



CONNECTION DIAGRAMS



TIMER SWITCH

DESCRIPTION



TIMER SWITCH

■ Ref. 45040 S - MEC Q45 Mechanisms.

OPERATION

■ Allows to control a lighting circuit in a timed manner (by means of a defined timer) or ON / OFF.

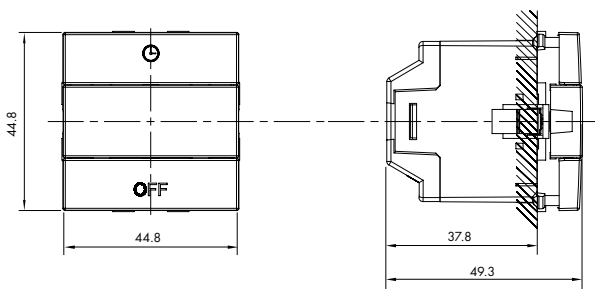
CHARACTERISTICS - TECHNICAL

- Power: 100-240V~, 50/60 Hz;
- Maximum load: 16A (cosφ = 1);
- Operating time regulation: 5 seconds to 15minutes
- Consumption: < 200mW;
- Operating temperature: -10°C to +45°C;
- Compatible with any load type:
  - Outputs: NO or NC;
  - Potential-free output contact.

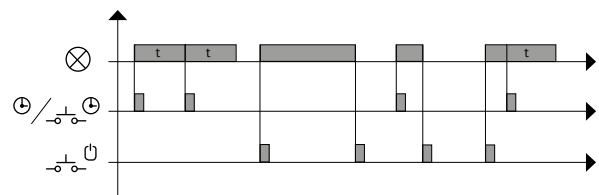
CHARACTERISTICS - DEVICE

- Allows to control in more than one point (switching circuit) using push-buttons (NO);
- Four backlight settings:
  - Illuminated - backlighting on with load disconnected and off with load connected;
  - Pilot Lamp - backlighting off with load disconnected and on with load connected;
  - Always ON - backlighting always on;
  - Off - backlighting off.

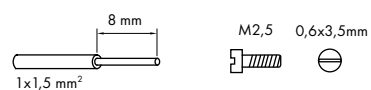
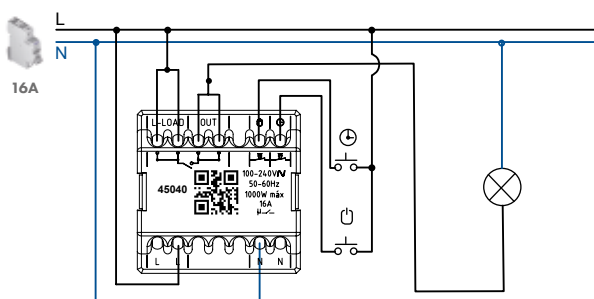
DIMENSIONS (mm)



OPERATION DIAGRAM



CONNECTION DIAGRAMS





**4-GANG ELECTRONIC PRESS BUTTON (VERY LOW VOLTAGE)**

**DESCRIPTION**



**4-GANG ELECTRONIC PRESS BUTTON (VERY LOW VOLTAGE)**

- Ref. 45164 S - MEC Q45 Mechanisms.
- Compatible with input modules of different home automation systems.
- One common input and four independent "dry" contact outputs.
- Contact opening and closing via a microswitch (potential-free and **Very Low Voltage - VLV**).

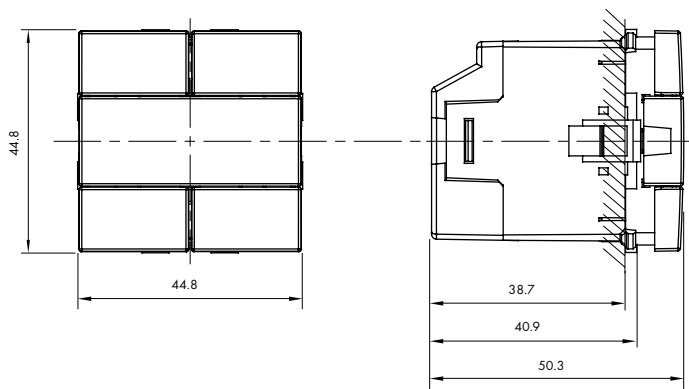
**OPERATION**

- Press each key to close the circuit.

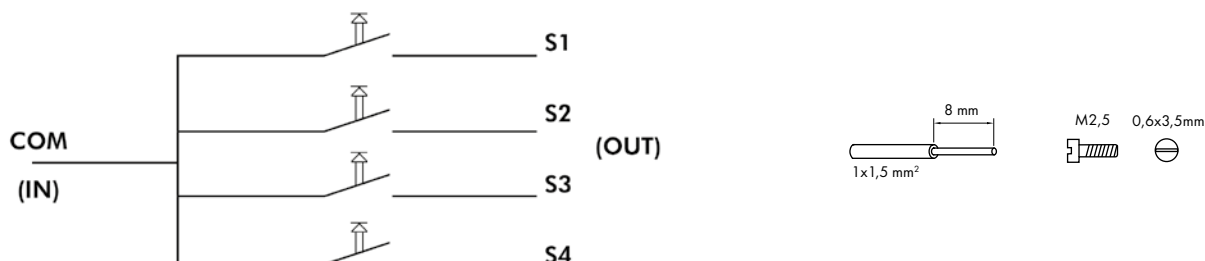
**CHARACTERISTICS**

- Maximum power dissipation: **60mW (DC 12V 50mA)**;
- Maximum voltage: **32V<sup>~</sup>**;
- Insulation resistance:  $\geq 100M\Omega$ ;
- Dielectric rigidity: AC 250V~ 50Hz/ 1 min.;
- Operating temperature: -25C° to +70°C.
- Maximum relative humidity: (40°C)  $\leq 95\%$ .
- Contact resistance:  $\leq 40m\Omega$ ;
- Outputs: 4NO.

**DIMENSIONS (mm)**



**ELECTRICAL DIAGRAM**



RLC ROTARY DIMMER

DESCRIPTION



RLC ROTARY DIMMER

■ Ref. 45216 S - MEC Q45 Mechanisms.

OPERATION

- Allows to command ON / OFF and the regulation of the dimming of a lamp or set of lamps:
  - Regulation of the dimming by rotation or through continuous pressure on the button;
  - Short button press, switches ON/OFF position..

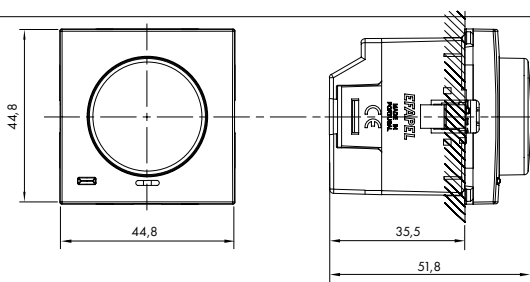
CHARACTERISTICS - TECHNICAL

- Power: **100-240V~, 50/60 Hz;**
- Consumption: < 200mW;
- Operating temperature: -10 °C to 45 °C;
- **Note:** Maximum recommended number of lamps per circuit = 10;  
In the event of excessive load, short-circuit, inadequate current (dimmable lamps or a mixture of various types of dimmable lamps) - the frontal white LED will start flashing.

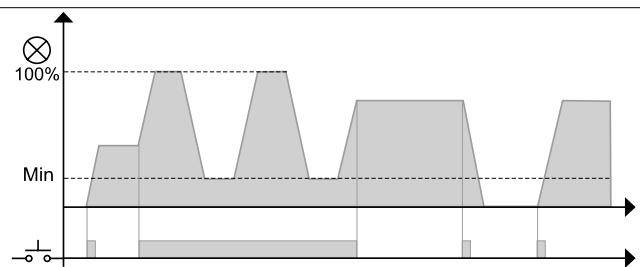
CHARACTERISTICS - DEVICE

- No need for a neutral line (directly replaces a Single Pole Switch);
- Compatible with RLC circuits (R, RL and RC);
- Memorizes last lighting level;
- Allows to control at more than one point (switching circuit) with the use of Rocker switches (NO).

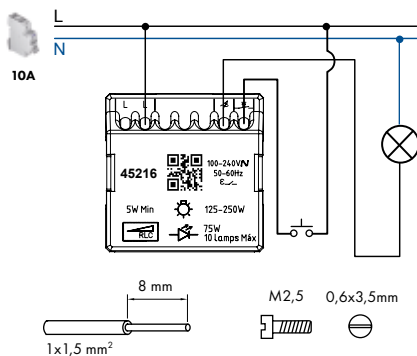
DIMENSIONS (mm)



OPERATION DIAGRAM (EXTERNAL INPUT)



CONNECTION DIAGRAMS



MAXIMUM RECOMMENDED LOADS								
	Voltage	[P]	Incandescent	Halogen	Ferromagnetic Transformer	Electronic Transformer	Compact Fluorescent	LED
REF. 45216 S	230V~	5W	250W	250W	250VA	250VA	75W or 10 lamps (Máx.)	75W or 10 lamps (Máx.)
100-240V~50/60HZ	110V~	5W	125W	125W	125VA	125VA	75W or 10 lamps (Máx.)	75W or 10 lamps (Máx.)

RLC DIMMER PRESS SWITCH

DESCRIPTION



RLC DIMMER PRESS SWITCH

■ Ref. 45218 S - MEC Q45 Mechanisms.

OPERATION

■ Allows to command ON / OFF and the regulation of the dimming of a lamp or set of lamps.

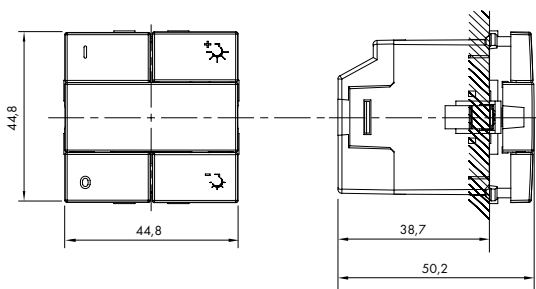
CHARACTERISTICS - TECHNICAL

- Power: 100-240V~, 50/60 Hz;
- Consumption: < 200mW;
- Operating temperature: -10 °C to 45 °C;
- **Note:** Maximum recommended number of lamps per circuit = 10;  
In the event of excessive load, short-circuit, inadequate current (dimnable lamps or a mixture of various types of dimmable lamps) - the frontal white LEDs will start flashing.

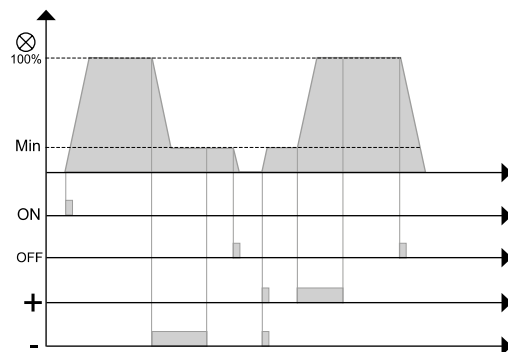
CHARACTERISTICS - DEVICE

- No need for a neutral line (directly replaces a Single Pole Switch);
- Compatible with RLC circuits (R, RL and RC);
- Allows to control at more than one point (switching circuit) with the use of Rocker switches (NO).
- Four backlight settings:
  - Illuminated - backlighting on with load disconnected and off with load connected;
  - Pilot Lamp - backlighting off with load disconnected and on with load connected;
  - Always ON - backlighting always on;
  - Off - backlighting off.

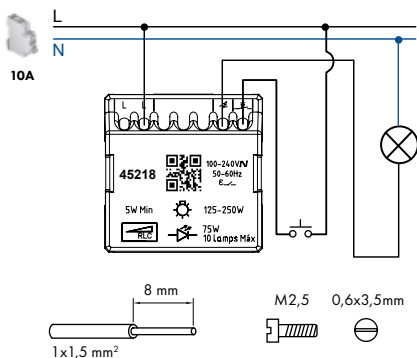
DIMENSIONS (mm)



OPERATION DIAGRAM (EXTERNAL INPUT)



CONNECTION DIAGRAMS



MAXIMUM RECOMMENDED LOADS								
	Voltage	[P]	Incandescent	Halogen	Ferromagnetic Transformer	Electronic Transformer	Compact Fluorescent	LED
REF. 45218 S	230V~	5W	250W	250W	250VA	250VA	75W or 10 lamps (Máx.)	75W or 10 lamps (Máx.)
100-240V~ 50/60HZ	110V~	5W	125W	125W	125VA	125VA	75W or 10 lamps (Máx.)	75W or 10 lamps (Máx.)

MOTION DETECTOR - WALL INSTALLATION

DESCRIPTION

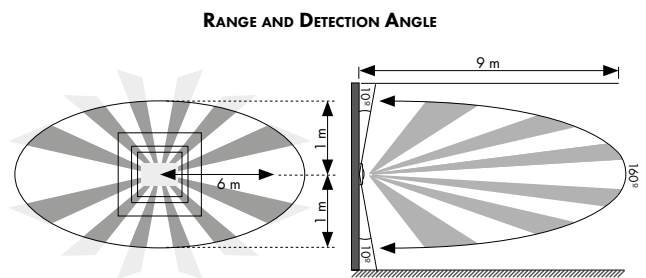
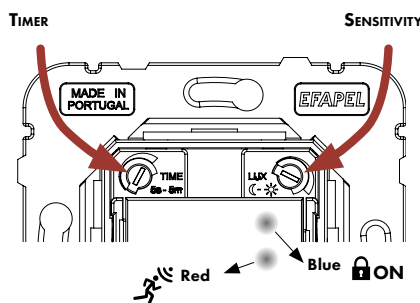


MOTION DETECTOR - WALL INSTALLATION

■ Ref. 45403/ 45404 S - MEC Q45 Mechanisms.

CONFIGURATION AND OPERATION

- Automatically controls a circuit depending on motion detection and ambient brightness;
- Wall Installation;
- Adjustable light sensitivity;
- Motion detection indicator and front push-button.



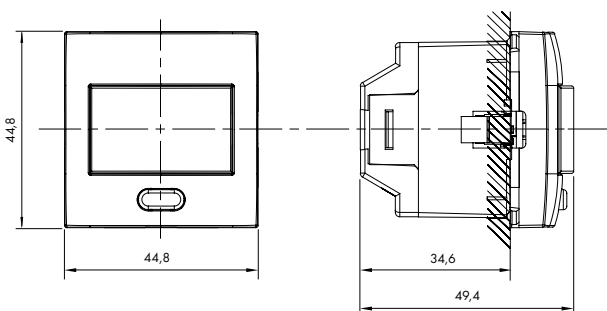
CHARACTERISTICS - TECHNICAL

- Power: 100-240V~, 50/60 Hz;
- Maximum load:
  - Ref. 45403 S – 1000W;
  - Ref. 45404 S – 400W;
- Timing adjustment: 5 seconds to 5 minutes;
- Consumption: < 250mW;
- Operating temperature: -10°C to 45°C.

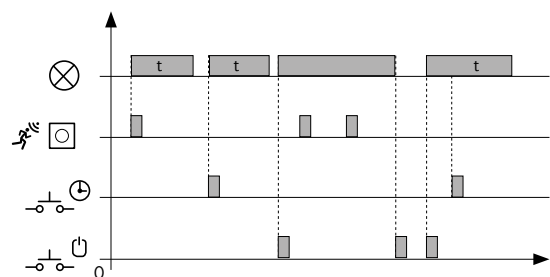
CHARACTERISTICS - DEVICE

- Indication of motion detection in the detector by LED (Red);
- Compatible with any load type (Potential-free output contact - NO);
- Allows control via external inputs with Push-buttons (NO):
  - ⊕ – starts new timing;
  - ⊖ – switch to ON Manual mode.

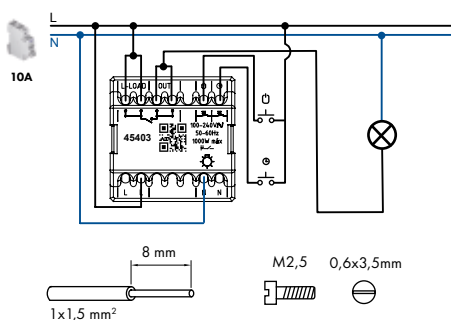
DIMENSIONS (mm)



OPERATION DIAGRAM



CONNECTION DIAGRAMS



MAXIMUM RECOMMENDED LOADS							
REF.	Voltage - V	Incandescent	Halogen	Ferromagnetic Transformer	Electronic Transformer	Compact	LED
45403 S	100-240V~ 50/60Hz	1000W	1000W	750VA	750VA	500VA	500VA
45404 S	100-240V~ 50/60Hz	400W	400W	300VA	300VA	200VA	200VA

MOTION DETECTOR

DESCRIPTION

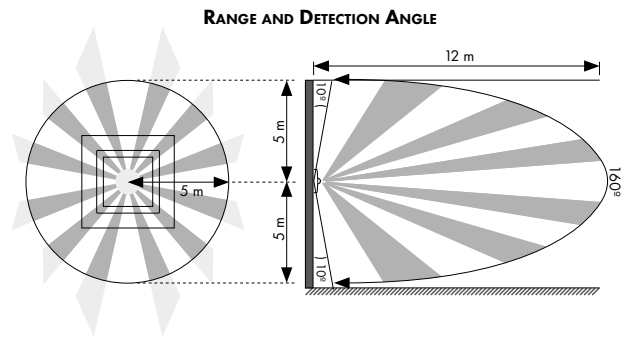
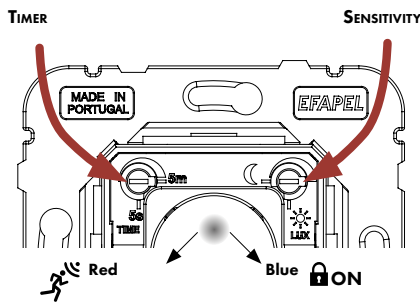


MOTION DETECTOR

■ Ref. 45401 / 45402 S - MEC Q45 Mechanisms.

CONFIGURATION AND OPERATION

- Automatically controls a circuit depending on motion detection and ambient brightness;
- Adjustable light sensitivity;
- Motion detection indicator.



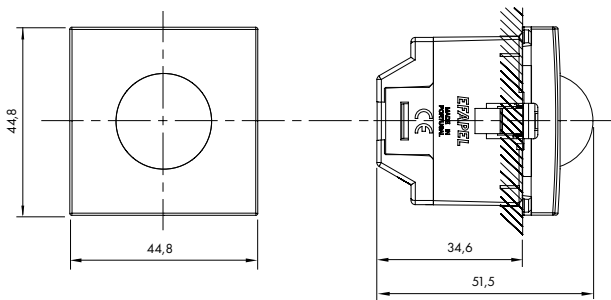
CHARACTERISTICS - TECHNICAL

- Power: 100-240V~, 50/60 Hz;
- Maximum load:
  - Ref. 45401 S - 1000W;
  - Ref. 45402 S - 400W;
- Timing adjustment: 5 seconds to 5 minutes;
- Consumption: < 250mW;
- Operating temperature: -10°C to 45°C.

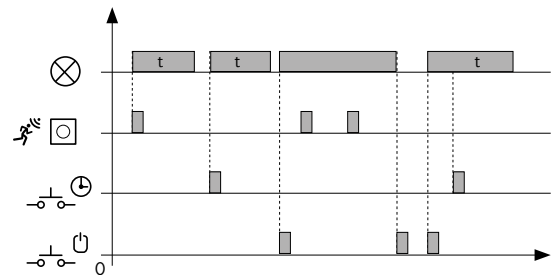
CHARACTERISTICS - DEVICE

- Indication of motion detection in the detector by LED (Red);
- Compatible with any load type (Potential-free output contact - NO);
- Allows control via external inputs with Push-buttons (NO):
  - ⊕ - starts new timing;
  - ⊖ - switch to ON Manual mode.

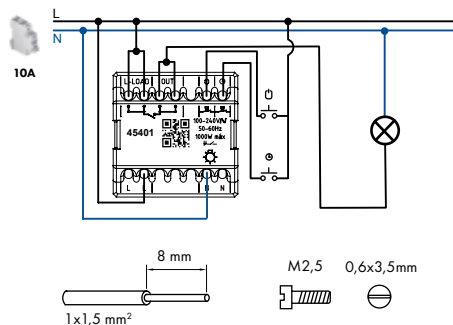
DIMENSIONS (mm)



OPERATION DIAGRAM



CONNECTION DIAGRAMS



MAXIMUM RECOMMENDED LOADS							
REF.	Voltage - V	Incandescent	Halogen	Ferromagnetic Transformer	Electronic Transformer	Compact	LED
45401 S	100-240V~ 50/60Hz	1000W	1000W	750VA	750VA	500VA	500VA
45402 S	100-240V~ 50/60Hz	400W	400W	300VA	300VA	200VA	200VA

LIGHT INDICATOR | TRIANGULAR OVERDOOR LIGHT INDICATOR

DESCRIPTION



LIGHT INDICATOR

■ Ref. 45361 S - MEC Q45 Mechanisms.

TRIANGULAR OVERDOOR LIGHT INDICATOR

■ Ref. 45362 S - MEC Q45 Mechanisms.



■ For colored versions select the frontal covering:

- - IC - Colorless;
- - LR - Orange;
- - VD - Green;
- - VM - Red.

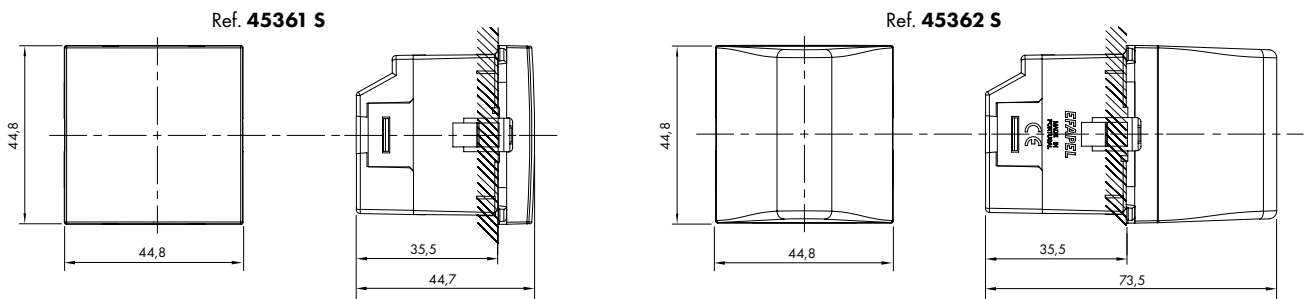
OPERATION

■ Light / Visual Signaling Mechanism with two levels of lightning.

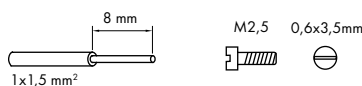
CHARACTERISTICS

- Power: 230V~, 50/60 Hz;
- Two levels of intensity:
  - L1 – 0,2W;
  - L2 – 0,4W;
- Operating temperature: -10° C to 45° C.
- Color temperature: 4000K.

DIMENSIONS (mm)



CONNECTION DIAGRAMS



WHITE ORIENTATION LIGHT | WHITE ORIENTATION LIGHT WITH BATTERY

DESCRIPTION



WHITE ORIENTATION LIGHT

■ Ref. 45388 S - MEC Q45 Mechanisms.

WHITE ORIENTATION LIGHT WITH BATTERY

■ Ref. 45389 S - MEC Q45 Mechanisms.

OPERATION

Ref. 45388 S

■ Light / Visual Signaling Mechanism with two levels of lightning;

Ref. 45389 S

■ Light / Visual Signaling Mechanism, allows to operate as Orientation Light and Orientation Light with Battery.

■ In the event of a power failure, it maintains visual signaling for 1 hour.

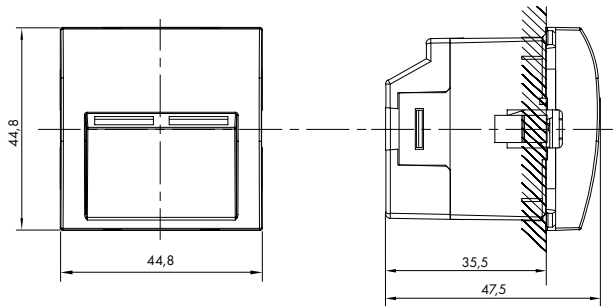
CHARACTERISTICS - Ref. 45388 S

- Power: 230V~, 50/60 Hz;
- LED signaling;
- Two levels of intensity:
  - L1 – 0,2W;
  - L2 – 0,4W;
- Operating temperature: -10 °C to 45 °C.
- Color temperature: 4000K.

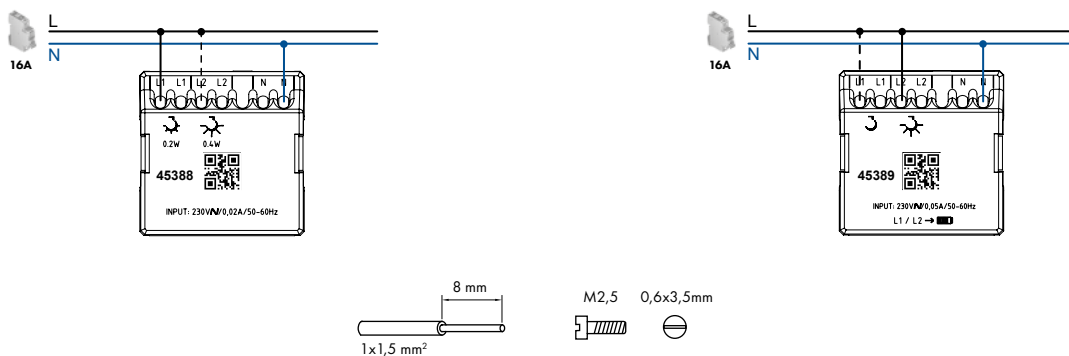
CHARACTERISTICS - Ref. 45389 S

- Power: 230V~, 50/60 Hz;
- LED signaling;
- Three forms to operate:
  - "L1" – Signaling OFF (turns on only after power failure);
  - "L2" – Signaling ON (always on, until the battery is drained out after a power failure).
  - "L1"+"L2" - Orientation Light and Orientation Light with Battery.
- Charging time: 36 hours;
- Autonomy: 1 hour;
- Operating temperature: -10 °C to 45 °C.

DIMENSIONS (mm)



CONNECTION DIAGRAMS



ELECTRONIC BUZZER

100-240V~  
50/60 Hz

DESCRIPTION



ELECTRONIC BUZZER

■ Ref. 45369 S MEC Q45 Mechanisms.

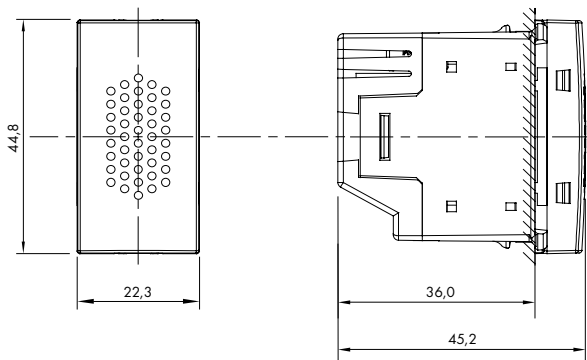
OPERATION

■ Being powered emits sound.

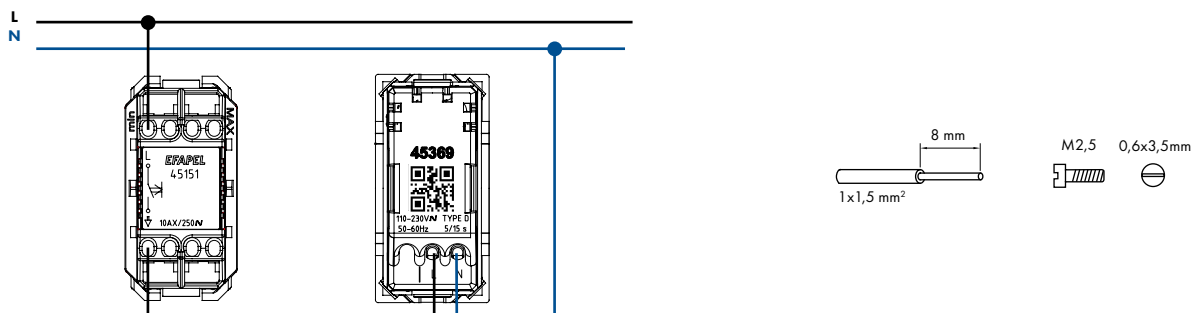
CHARACTERISTICS

- Operating voltage: **100-240V~**.
- Frequency: **50/60Hz**.
- Type: D (type D sound signal).
- Acoustic level: 80 dB at 1 m.
- Operating cycle: intermittent 5/15s.
- Operating temperature: -10°C to 45°C.

DIMENSIONS (mm)



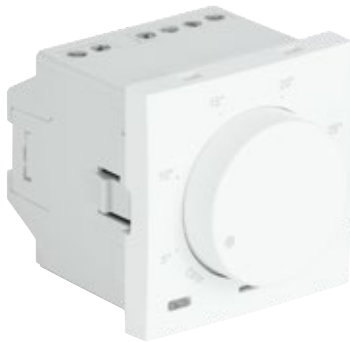
CONNECTION DIAGRAMS





TEMPERATURE CONTROL - ROTARY THERMOSTAT

DESCRIPTION



ROTARY THERMOSTAT

- Ref. 45234 S - MEC Q45 Mechanisms.
- Allows to control of Heating and/or Cooling system depending on the set temperature.
- Compatible with Floor Probe (Ref. 81950) - automatic detection.
- Compatible with electrical and hydraulic systems.

OPERATION

Constant selection and control of the desired ambient temperature through direct push-button setting.

- Red LED – Heating Control;
- Blue LED - Cooling.

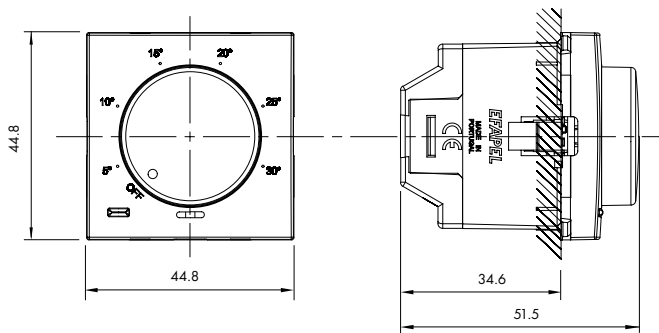
CHARACTERISTICS - TECHNICAL

- Power: 100-240V~, 50/60 Hz;
- Maximum load: 16A (cosφ = 1);
- Consumption: < 200mW;
- Operating temperature: -10°C to 45°C;
- Temperature settings: +5°C to 30°C;
- Temperature reading range: -9°C to 35°C;
- Output: NO.

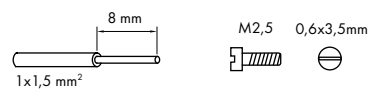
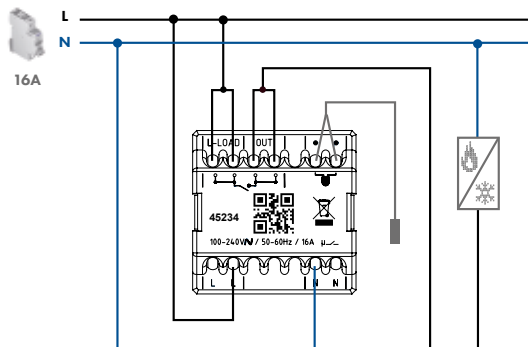
CHARACTERISTICS - DEVICE

- System control: Heating and/or Cooling;
- Compatible with Floor Probe (Ref. 81950) - automatic detection;
- Antifreeze Protection (Heating) and Thermal Protection (Cooling);
- Compatible with electrical and hydraulic systems.

DIMENSIONS (mm)



CONNECTION DIAGRAMS (HEATING / COOLING)



TEMPERATURE CONTROL - MULTIFUNCTIONAL CHRONOTHERMOSTAT

DESCRIPTION



MULTIFUNCTIONAL CHRONOTHERMOSTAT

- Ref. 45235 S - MEC Q45 Mechanisms;
- Allows manual and automatic control of the Heating and Cooling system according to daily/weekly programming and pre-programmed temperatures;
- Compatible with Floor Probe (Ref. 81950) - automatic detection;
- Automatic change of summer/winter time;
- Ability to programme inactive periods (holidays);
- Keys lock function;
- Compatible with electrical and hydraulic systems.

OPERATION

- Programming and control of the desired ambient temperatures for the different periods of the day (up to 7 different temperatures or periods per day) and for the different days of the week.
- Allows the adjustment of different parameters in order to obtain the most appropriate control for the needs of the installation (Climatization Type; Installation Type; Type of Control; Temperature Limits; Differential).

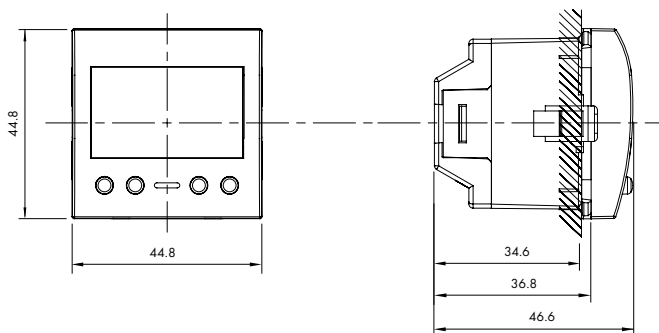
CHARACTERISTICS - TECHNICAL

- Power: 100-240V~, 50/60 Hz;
- Maximum load: 16A (cosφ = 1);
- Consumption with backlighting "ON" < 350mW;
- Consumption with backlighting "OFF" < 100mW;
- Operating temperature: -10°C to 45°C;
- Temperature control precision: 0.5°C;
- Temperature reading range: -9°C to 35°C;
- Power reserve up to 24 h;
- Output: NO.

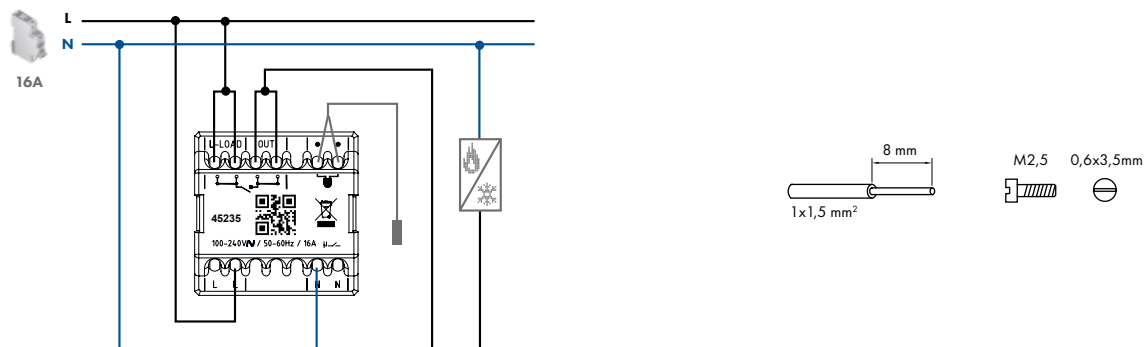
CHARACTERISTICS - DEVICE

- System controls: Heating and/or Cooling;
- Compatible with Floor Probe (Ref. 81950) - automatic detection;
- Temperature reading: Ambient or Floor Probe or both;
- Antifreeze Protection;
- Compatible with electrical and hydraulic systems;
- Valve protection (hydraulic systems);
- Able to plan up to 7 daily periods;
- Keys lock function.

DIMENSIONS (mm)



CONNECTION DIAGRAMS (HEATING / COOLING)



TEMPERATURE CONTROL - MULTIFUNCTIONAL THERMOSTAT

DESCRIPTION



MULTIFUNCTIONAL THERMOSTAT

- Ref. 45236 S - MEC Q45 Mechanisms;
- Allows to control of a Heating and/or Cooling system depending on the set temperature.
- Remote control possible with a Multifunctions IR Remote Control Transmitter (Ref. 81900);
- Floor Probe connection possible (Ref. 81950), with automatic detection;
- TIMER function (from 15 minutes to 6 hours);
- Keys lock function;
- Compatible with electrical and hydraulic systems.

OPERATION

- Selection and control of desired ambient temperature in a constant way.
- Allows the adjustment of different parameters in order to obtain the most appropriate control for the needs of the installation (Climatization Type; Installation Type; Type of Control; Temperature Limits; Differential).

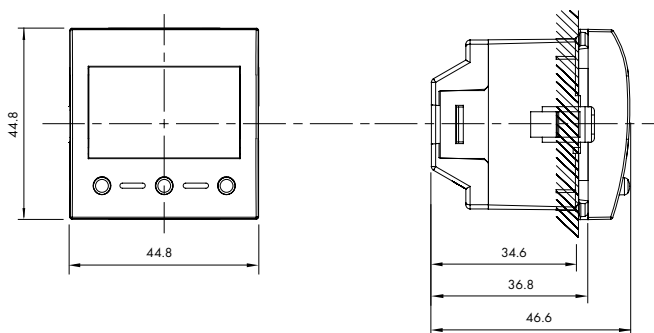
CHARACTERISTICS - TECHNICAL

- Power: 100-240V~, 50/60 Hz;
- Maximum load: 16A (cosφ = 1);
- Consumption with backlighting "ON" < 350mW;
- Consumption with backlighting "OFF" < 100mW;
- Operating temperature: -10°C to 45°C;
- Temperature control precision: 0.5°C;
- Temperature reading range: -9°C to 35°C;
- Output: NO.

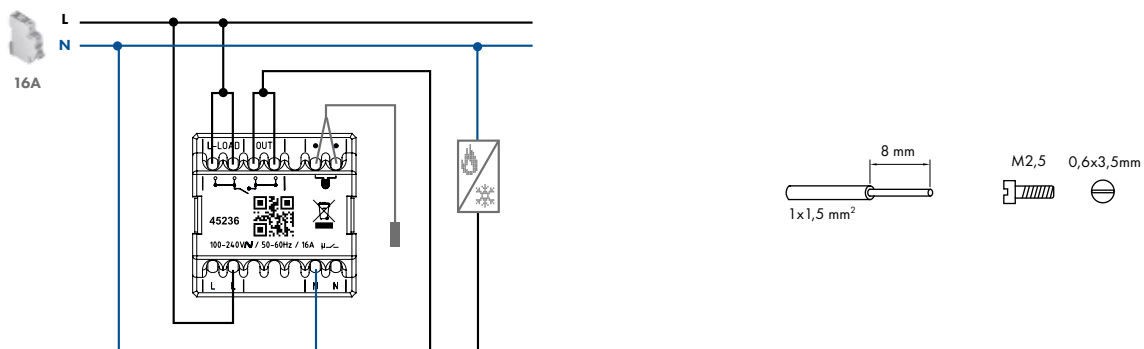
CHARACTERISTICS - DEVICE

- System controls: Heating and/or Cooling;
- Compatible with Floor Probe (Ref. 81950) - automatic detection;
- Temperature reading: Ambient or Floor Probe or both;
- Remote control possible with a Multifunctions IR Remote Control Transmitter (Ref. 81900);
- Antifreeze Protection;
- Compatible with electrical and hydraulic systems;
- Valve protection (hydraulic systems);
- TIMER function (from 15 minutes to 6 hours);
- Keys lock function.

DIMENSIONS (mm)



CONNECTION DIAGRAMS (HEATING / COILING)



ELECTRIC SHUTTER CONTROLLERS

DESCRIPTION



GENERAL CONTROL WITH IR SENSOR FOR ELECTRIC SHUTTER

- Ref. 45311 S
- MEC Q45 Mechanisms.
- Allows general and individual control of shutters or groups of shutters, either manually or automatically, depending on the pre-programmed time or on the surrounding environmental conditions (wind, sun, etc.) defined by associated external sensors.
- Allows local operation;
- Ability to control remotely using the Multifunctions IR Remote Control Transmitter (Ref. 81900);
- Power reserve: 24 hours;
- Ability to receive sensor signals: **100-240V~, 50/60Hz** (PR1 and PR2);
- 2 Programmable functions (Open/Close);
- "Stand-By" function.



LOCAL CONTROL WITH IR SENSOR FOR ELECTRIC SHUTTERS

- Ref. 45312 S
- MEC Q45 Mechanisms.
- Allows individual control of shutters.
- Allows local operation;
- Ability to control remotely using the Multifunctions IR Remote Control Transmitter (Ref. 81900).

OPERATION

- Push button to raise/lower electric shutter.
- Programme two operations for every 24h (only with the General Control).

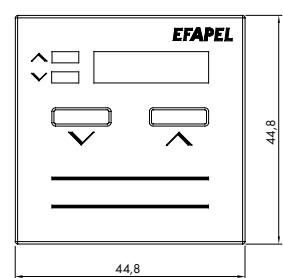
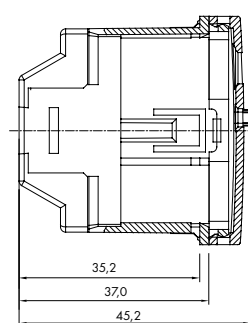
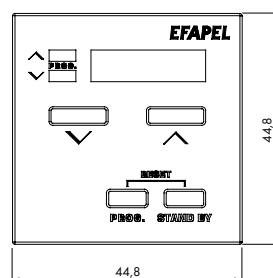
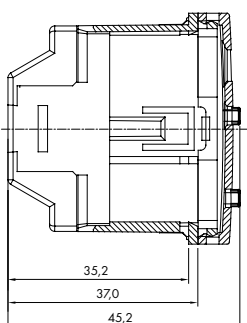
CHARACTERISTICS

- **100-240V~, 50/60Hz** - 5A (cosφ = 1).
- Consumption: < 0,5W.
- Standby consumption: < 0,15W.
- Ability to control locally (Local Control) or remotely using the Multifunctions IR Remote Control Transmitter (Ref. 81900).
- Outputs: NO.
- Potential-free output contact.
- Open and Close time: 90 seconds.

DIMENSIONS (mm)

Ref. 45311 S

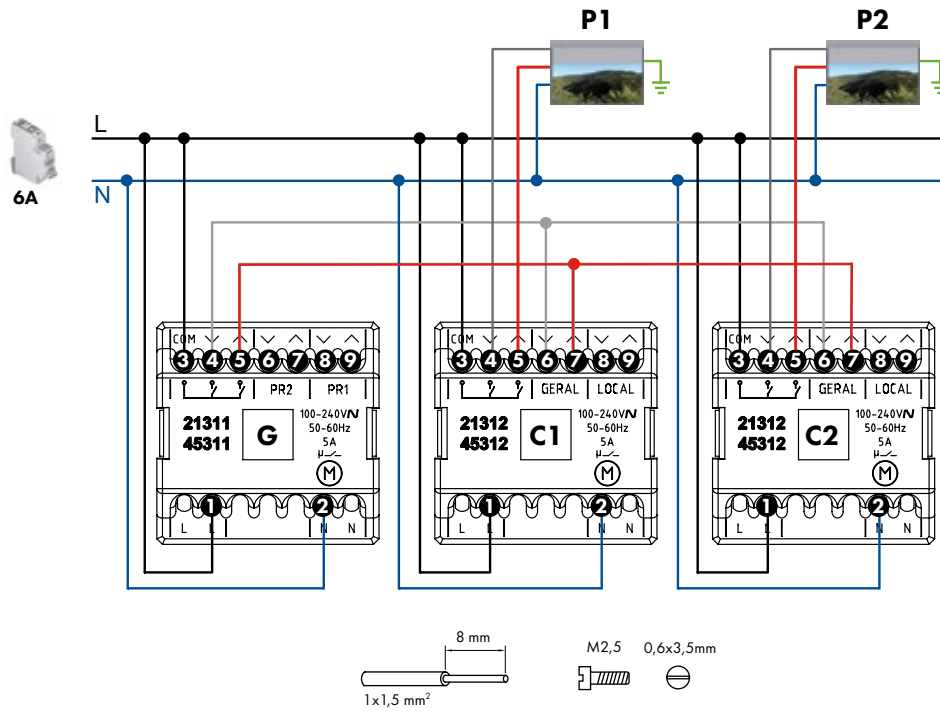
Ref. 45312 S



ELECTRIC SHUTTER CONTROLLERS

CONNECTION DIAGRAMS

■ CENTRALISED ELECTRIC SHUTTER INSTALLATION – WITH ELECTRIC SHUTTER CONTROLLERS



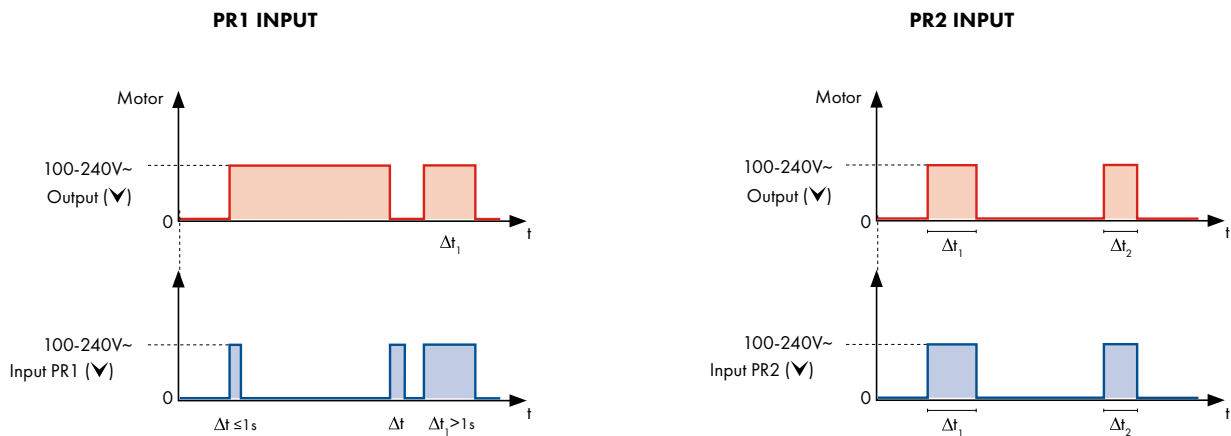
GENERAL CONTROL (G)

1. Device Power (Line)
2. Device Power (Neutral)
3. Output power (Line)
4. Local Control Output - Lower
5. Local Control Output - Raise
6. Priority signal input 2 (100-240V~) - Lower
7. Priority signal input 2 (100-240V~) - Raise
8. Priority signal input 1 (100-240V~) - Lower
9. Priority signal input 1 (100-240V~) - Raise

LOCAL CONTROL (C1), (C2), ...

1. Device Power (Line)
2. Device Power (Neutral)
3. Motor Power (Line)
4. Motor Output - Lower
5. Motor Output - Raise
6. General Control signal Input - Lower
7. General Control signal input - Raise
8. Local Control signal inputs (additional) - Lower
9. Local Control signal inputs (additional) - Raise

INPUT OPERATION (E. G. LOWER ▼)



**Note:** Orders given by direct pressing on the device buttons (▲ ▼) or by devices connected to the priority 1 inputs (Local / PR1), cancel the orders received on the priority 2 inputs (General / PR2).

RELAYS FOR ELECTRIC SHUTTER CONTROLLERS

DESCRIPTION



**AUTOMATIC RELAY FOR ELECTRIC SHUTTER CONTROL**

■ Ref. 81512

- It allows general and local control of a group of shutters.
- Can be installed in switchgear or a junction box next to the electric shutter boxes or in a deep box behind the control gear.
- **Timed.**



**PUSH RELAY FOR ELECTRIC SHUTTER CONTROL**

■ Ref. 81511

■ **Compatible only with Double Switches and Double Push-Button Switch for Electric Shutters Control for Multiple Points (Ref. 45283 S).**

- It allows general and local control of a group of shutters.
- Can be installed in the device box or in a junction box next to the electric shutter boxes or in a deep box behind the control gear.
- **Non-timed.**

OPERATION

- Press the relevant buttons to raise/lower electric shutters

CHARACTERISTICS

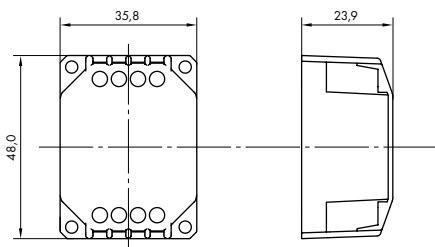
Ref. 81512

- 230V~ - 50Hz - 6A.
- Consumption: < 1W.
- Time to open and close: 90 seconds.
- Protection from two simultaneous commands - Electric Locking guaranteed by Relay (Ref. 81512).

Ref. 81511

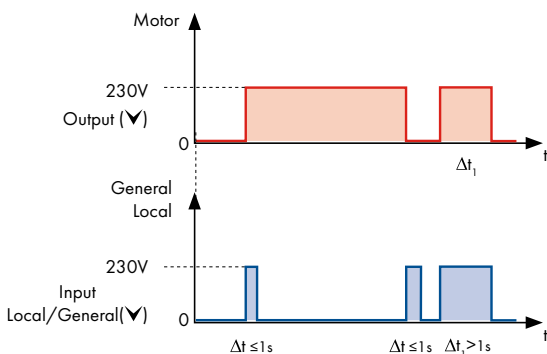
- 230V~ - 50Hz - 6A.
- Consumption: < 1W.
- Protection from two simultaneous commands - Locking
- Device guaranteed by the association of the Relay (Ref. 81511) with the Double Push-Button Switch for Electric Shutters Control for Multiple Points (Ref. 45283 S).

DIMENSIONS (mm)

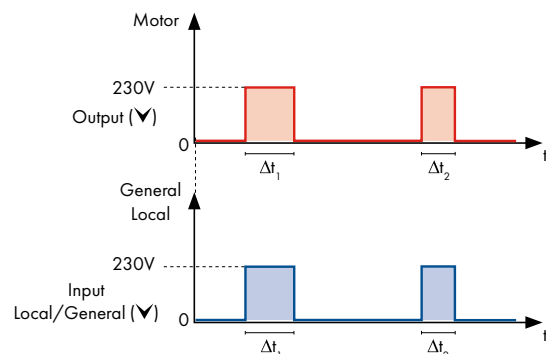


INPUT OPERATION (E. G. LOWER √)

Ref. 81512



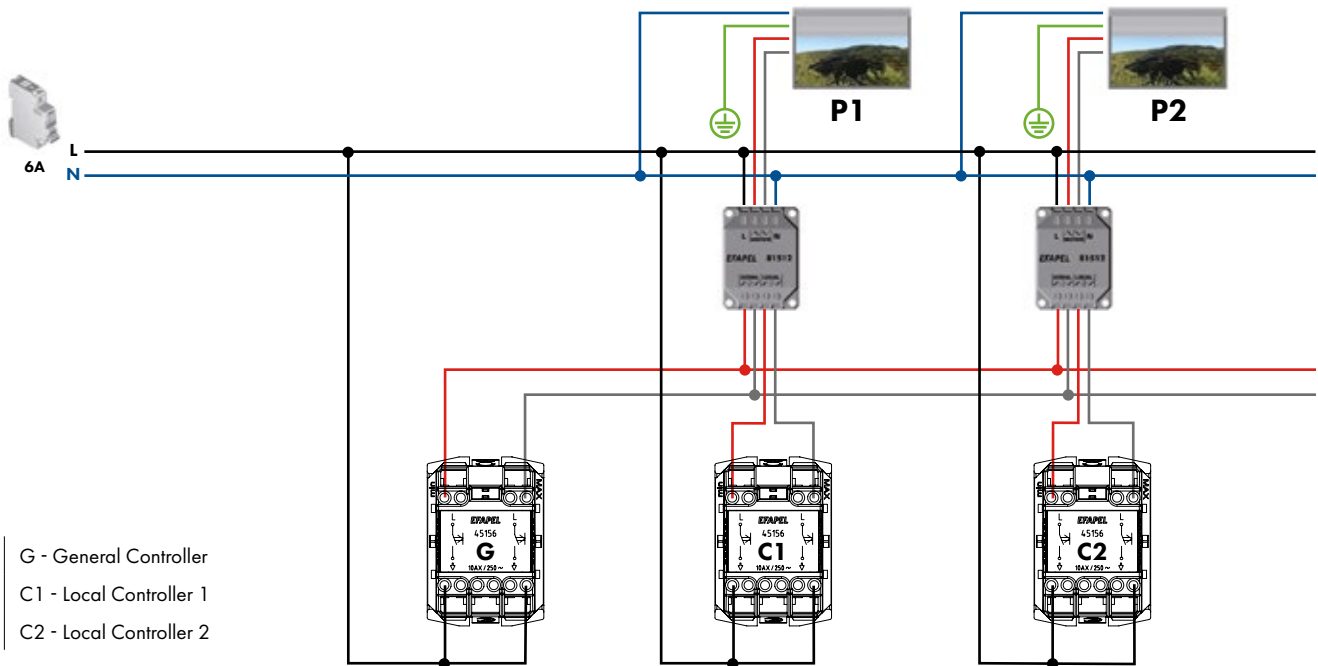
Ref. 81511



RELAYS FOR ELECTRIC SHUTTER CONTROLLERS

CONNECTION DIAGRAMS

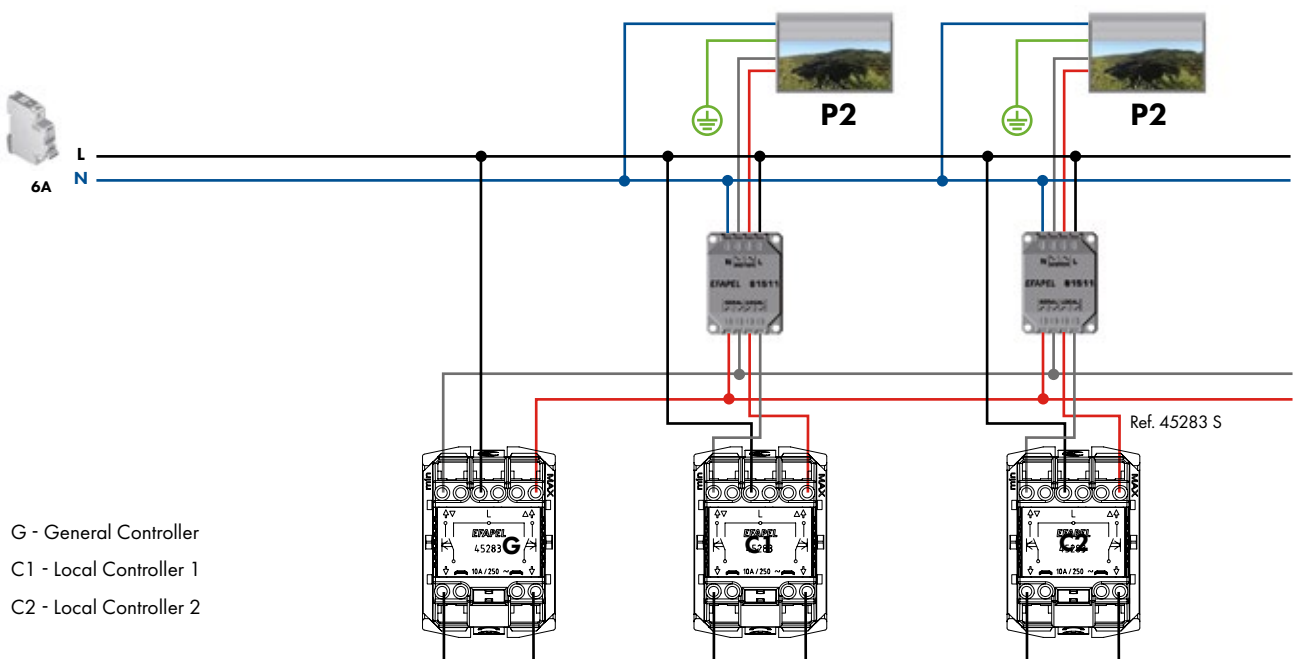
■ CENTRALISED ELECTRIC SHUTTER INSTALLATION - WITH LOCAL CONTROL MODULE WITH IR SENSORS (Ref. 81512)



G - General Controller  
 C1 - Local Controller 1  
 C2 - Local Controller 2

**Note:** Protection from two simultaneous raise and lower commands using the same or different devices is guaranteed by the relay software.

■ CENTRALISED ELECTRIC SHUTTER INSTALLATION - GENERAL CONTROL MODULE WITH IR SENSORS (Ref. 81511)



G - General Controller  
 C1 - Local Controller 1  
 C2 - Local Controller 2

**Notes:**

- To raise / lower all shutters it is necessary to keep the key pressed .
- Protection from two simultaneous commands, raise and lower, using the same or different devices is ensured by the combination of the mechanism (Ref. 45283 S) and Relay (Ref. 81511), which is why this relay only works with this mechanism.

■ LOCAL CONTROL MODULE WITH IR SENSORS (Ref. 81512)

- N - Neutral
- L - Line
- ▲ - Motor output - Raise
- ▼ - Motor output - Lower
- GENERAL - Input from General Controller
- LOCAL - Input from Local Controller

■ GENERAL CONTROL MODULE WITH IR SENSORS (Ref. 81511)

- N - Neutral
- L - Line
- ▲ - Motor output - Raise
- ▼ - Motor output - Lower
- GENERAL - Input from General Controller
- LOCAL - Input from Local Controller

HDMI SOCKET

DESCRIPTION

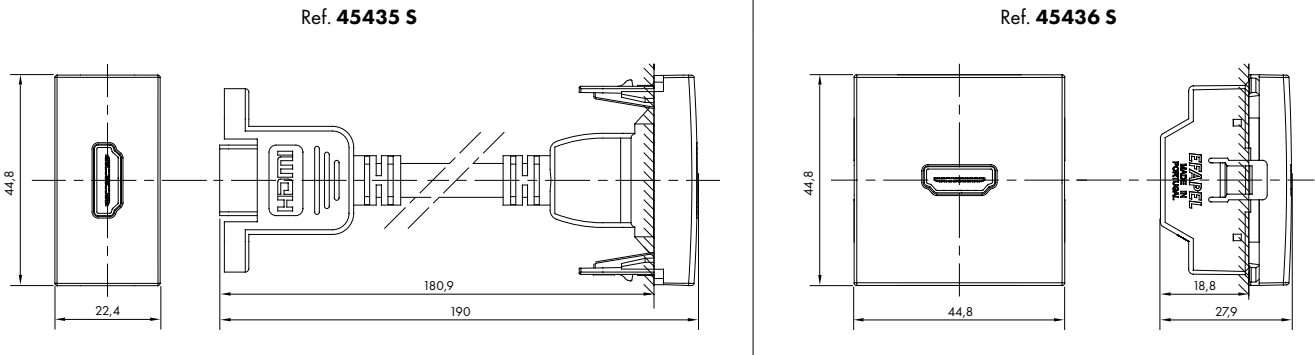


- **Ref. 45435 S** - HDMI Sockets with Connector - 1 Module.
- **Ref. 45436 S** - HDMI Socket with Screw Connection - 2 Modules.  
High definition audio and video data passing sockets between any transmitter (computer, DVD, ...) and a terminal (TV, LCD, Video projector, ...).
- **MEC Q45** Mechanisms.

CHARACTERISTICS

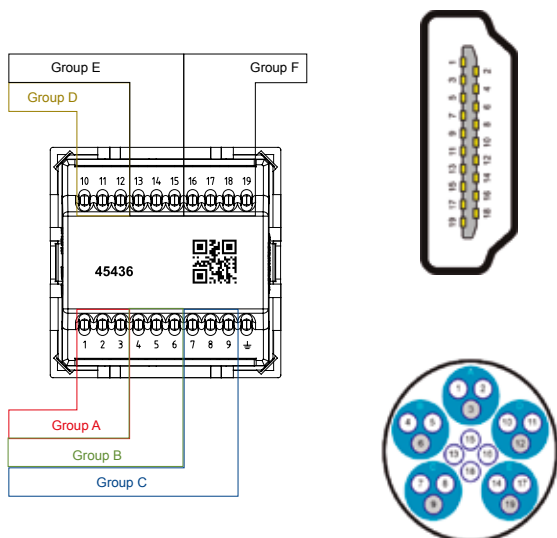
	Ref. <b>45435 S</b>	Ref. <b>45436 S</b>
Technical Thermoplastic Mechanisms - non-conductive resistant material		
Connection	Via the cord (Female Connector)	Screws
Maximum distance between HDMI sockets	10 metres	5 metres
Maximum resolution	1080p	1080p
Connectors	Type 1.4 Version E	Type 1.4 Version E

DIMENSIONS (mm)



CONNECTION DIAGRAMS

Ref. **45436 S**



Pin	Pin	Group
Pin 1	TMDS Data2+	Group A / Red Group
Pin 2	TMDS Data2 Data Shield	
Pin 3	TMDS Data2-	
Pin 4	TMDS Data1+	Group B / Green Group
Pin 5	TMDS Data1 Data Shield	
Pin 6	TMDS Data1-	
Pin 7	TMDS Data0+	Group C / Blue Group
Pin 8	TMDS Data0 Data Shield	
Pin 9	TMDS Data0-	
Pin 10	TMDS Clock+	Group D / Brown Group
Pin 11	TMDS Clock Data Shield	
Pin 12	TMDS Clock-	
Pin 13	CEC	Group E
Pin 14	Reserved, HEC Data - (Optional, 1.4+ with Ethernet channel)	
Pin 15	SCL (DDC)	
Pin 16	SDA (DDC)	
Pin 17	DDC/CEC Ground	
Pin 18	+5V Power	Group F / Remaining Wires without Group
Pin 19	Hot Plug Detect, HEC Data + (Optional, 1.4+ with Ethernet channel)	



USB | VGA | RCA DATA SOCKET

DESCRIPTION

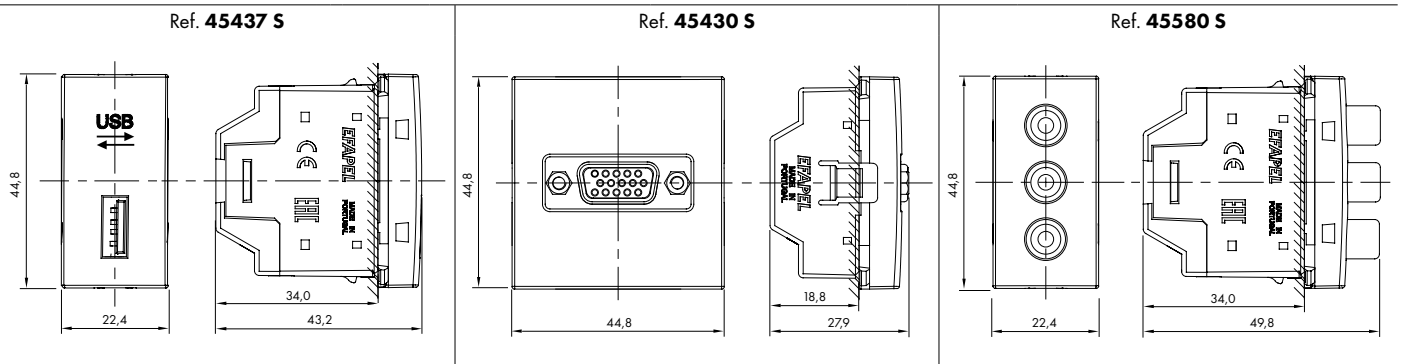


- **Ref. 45437 S** - USB Data Socket - 1 Module. Data transfer socket via USB connection.
- **Ref. 45430 S** - VGA socket - 2 Modules - Video data passing socket between any transmitter (computer, DVD, ...) and a terminal (TV, LCD, Video projector, ...).
- **Ref. 45580 S** - RCA / Stereo / Video Socket - 1 Module - Audio and video data passing sockets between any transmitter (computer, DVD, ...) and a terminal (TV, LCD, Video projector, ...).
- **MEC Q45** Mechanisms.

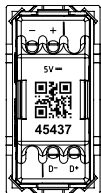
CHARACTERISTICS

	Ref. 45437 S	Ref. 45430 S	Ref. 45580 S
Technical Thermoplastic Mechanisms - non-conductive resistant material			
Connection	Screw	Screw	Screw
Maximum distance between sockets	5 metres	15 metres	20 metres
Maximum speed	12 Mbit/s	not applicable	not applicable

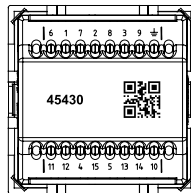
DIMENSIONS (mm)



CONNECTION DIAGRAMS



Pin	
+	VBUS 5VDC
-	GROUND
D+	DATA +
D-	DATA -



Pin	
1	RED COAX
2	GREEN COAX
3	BLUE COAX
4	ORANGE (ID BIT 2 - NC)
5	RED (GND)
6	RED BRAID
7	GREEN BRAID
8	BLUE BRAID
9	WHITE (KEY)
10	BLUE (GND)
11	BROWN (ID BIT 0 - GND)
12	YELLOW (ID BIT 1 - SDA)
13	GREY (HORIZONTAL SYNCHRONIZATION)
14	GREEN (VERTICAL SYNCHRONIZATION)
15	BLACK (ID BIT 3 - SCL)
16	SHIELD (GROUND)



Pin	
V	VIDEO CABLE
R	RIGHT AUDIO SIGNALS
L	LEFT AUDIO SIGNALS
GND	GROUND

RJ45 UTP CAT. 6A / 6 CONNECTORS

DESCRIPTION



**RJ45 CAT. 6A UTP CONNECTOR (500 MHz) - (Blue)**

- Ref. 82021 - MEC Q45 Mechanisms;
- Unshielded;
- Universal **KEYSTONE** fitting.



**RJ45 CAT. 6 UTP CONNECTOR (250 MHz) - (Red)**

- Ref. 21978 - MEC Q45 Mechanisms;
- Unshielded;
- Universal **KEYSTONE** fitting.

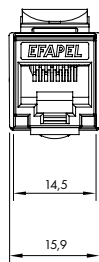
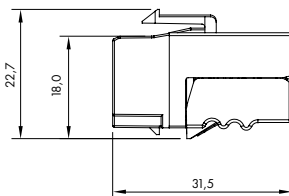
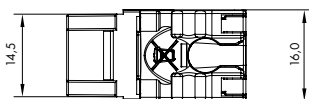


\*PoE - Power Over Ethernet

CHARACTERISTICS

- Reduced size;
- Quick assembly;
- **Tool-free** connection (connectors with self-stripping contacts);
- Robust and secure connection, through an effective conductors crimping system;
- Cable compatibility: 23-26 AWG;
- Universal **KEYSTONE** fitting;
- Compatible with high density RACK (21978 - RACK Cat. 6 and 82021 - RACK Cat. 6A);
- Compatible with color coding EIA/TIA 568A and EIA/TIA 568B;
- Full **PoE** compliance - in accordance with IEC 60512-99-002 Standard: **Type 4 / Power Class 8**;
- In accordance with TIA 568.2-D, ISO 11801, EN 50173-1 and IEC 60603-7-4 Standards; Tool-free connection (connectors with self-stripping contacts).

DIMENSIONS (mm)



INSTALLATION



CONNECTIONS

TERMINALS	EIA / TIA 568A		EIA / TIA 568B	
	PAR	CABLE COLOR	PAR	CABLE COLOR
PIN 5	1	White / Blue	1	White / Blue
PIN 4		Blue		Blue
PIN 1	2	White / Green	2	White / Orange
PIN 2		Green		Orange
PIN 3	3	White / Orange	3	White / Green
PIN 6		Orange		Green
PIN 7	4	White / Brown	4	White / Brown
PIN 8		Brown		Brown

RADIO / TV / SATELLITE SOCKETS

DESCRIPTION

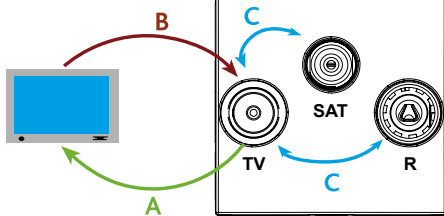


RADIO / TV / SATELLITE SOCKETS

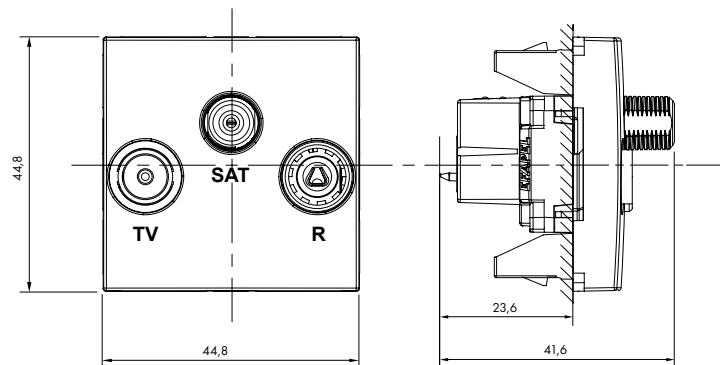
■ MEC Q45 Mechanisms.

CHARACTERISTICS

- A - Derivation attenuation
- B - Return Losses
- C - Insulation between outputs



DIMENSIONS (mm)



SOCKETS TYPE

TYPOLOGY		REF.	RADIO	TV	SAT
STAR CONNECTION	<p>Star Connection</p>	45543 S	⊖	⊙	⊕
	<p>Star Connection</p>	45533 S	⊖	⊙	
SERIES CONNECTION	<p>Terminal</p>	45554 S	⊖	⊙	
	<p>Passage Terminal</p>	45555 S	⊖	⊙	⊕
	<p>Passage</p>	45564 S	⊖	⊙	
	<p>Passage Terminal</p>	45565 S	⊖	⊙	⊕

RADIO / TV / SATELLITE SOCKETS

■ R - TV - SAT SOCKETS (IMPEDANCE OF 75 OHM)

LINEAL	OUTPUTS		DERIVATION LOSSES (DB) <sup>A</sup>										INSERTION LOSSES dB	INSULATION BETWEEN OUTPUTS dB	RETURN LOSSES dB	DC CURRENT PASSAGE CONNECTOR/ mA (DC)
	CONNECTOR/ OUTPUTS		RETURN	BI	SUB BAND	FM	S. LOW	BIII /DAB	S. HIGH HYPER	UHF	SAT					
REF.			4-47 MHz	47-68 MHz	68-80 MHz	84-108 MHz	112-174 MHz	174-230 MHz	230-446 MHz	470-862 MHz	950-2150 MHz	2150-2400 MHz		C	B	
STAR 45543 S NQ 2b	IEC MALE	TV	0,8	1,0	0,8	0,8	0,8	0,8	0,8	2,0	--	--	--	>20	>18	--
	IEC FEMALE	R	17,4	17,4	17,4	17,4	17,4	17,4	17,4	17,4	--	--				--
	F FEMALE	SAT	--	--	--	--	--	--	--	--	2,2	2,6				(SAT-IN) 500mA
TERMINAL 45555 S NQ 2b	IEC MALE	TV	6,2 <sup>+1</sup>	6,2 <sup>+1</sup>	6,2 <sup>+1</sup>	6,2 <sup>+1</sup>	6,0 <sup>+1</sup>	6,2 <sup>+1</sup>	5,8 <sup>+1</sup>	8,6 <sup>+1</sup>	--	--	--	>12	>18	--
	IEC FEMALE	R	15	15	15	15	15	15	15	15	--	--				--
	F FEMALE	SAT	--	--	--	--	--	--	--	--	5,6 <sup>+1</sup>	6,4 <sup>+1</sup>				(SAT-IN) 500mA
PASSAGE 45565 S NQ 2b	IEC MALE	TV	10,0 <sup>+1</sup>	10,0 <sup>+1</sup>	10,0 <sup>+1</sup>	10,0 <sup>+1</sup>	9,6 <sup>+1</sup>	10,0 <sup>+1</sup>	10,0 <sup>+1</sup>	10,0 <sup>+1</sup>	--	--	<3,6	>12	>18	--
	IEC FEMALE	R	20,0 <sup>+1</sup>	20,0 <sup>+1</sup>	20,0 <sup>+1</sup>	20,0 <sup>+1</sup>	20,0 <sup>+1</sup>	20,0 <sup>+1</sup>	20,0 <sup>+1</sup>	20,0 <sup>+1</sup>	--	--				--
	F FEMALE	SAT	--	--	--	--	--	--	--	--	11,0 <sup>+1</sup>	8,6 <sup>+1</sup>				(SAT-IN) 500mA

■ R - TV - SAT SOCKETS (IMPEDANCE OF 75 OHM)

EQUALIZED	OUTPUTS		DERIVATION LOSSES (DB) (dB) <sup>A</sup>										INSERTION LOSSES dB	INSULATION BETWEEN OUTPUTS dB	RETURN LOSSES dB	
	CONNECTOR/ OUTPUTS		RETURN	BI	SUB BAND	FM	S. LOW	BIII /DAB	S. HIGH HYPER	UHF	SAT					
REF.			4-47 MHz	47-68 MHz	68-80 MHz	84-108 MHz	112-174 MHz	174-230 MHz	230-446 MHz	470-862 MHz	950-2150 MHz	2150-2400 MHz		C	B	
STAR 45533 S NQ 2a	IEC MALE	TV	0,2	0,4	0,4	--	1,0	1,0	0,4	0,8	--	--	--	>20	--	
	IEC FEMALE	R	--	--	--	2,0 <sup>+0.3</sup>	--	--	--	--	--	--				
TERMINAL 45554 S NQ 2a	IEC MALE	TV	5,8 <sup>+1</sup>	6,0 <sup>+1</sup>	6,0 <sup>+1</sup>	--	6,0 <sup>+1</sup>	6,0 <sup>+1</sup>	6,0 <sup>+1</sup>	6,4 <sup>+1</sup>	--	--	--	>20	>18	
	IEC FEMALE	R	--	--	--	8,2 <sup>+1</sup>	--	--	--	--	--	--				
PASSAGE 45564 S NQ 2a	IEC MALE	TV	8,2 <sup>+1</sup>	8,2 <sup>+1</sup>	8,2 <sup>+1</sup>	--	8,0 <sup>+1</sup>	7,4 <sup>+1</sup>	7,4 <sup>+1</sup>	8,4 <sup>+1</sup>	--	--	1,6 <sup>+0.5</sup>	>20	>18	
	IEC FEMALE	R	--	--	--	8,8 <sup>+1</sup>	--	--	--	--	--	--				

USB POWER SOCKETS

DESCRIPTION

100-240V-50/60 Hz

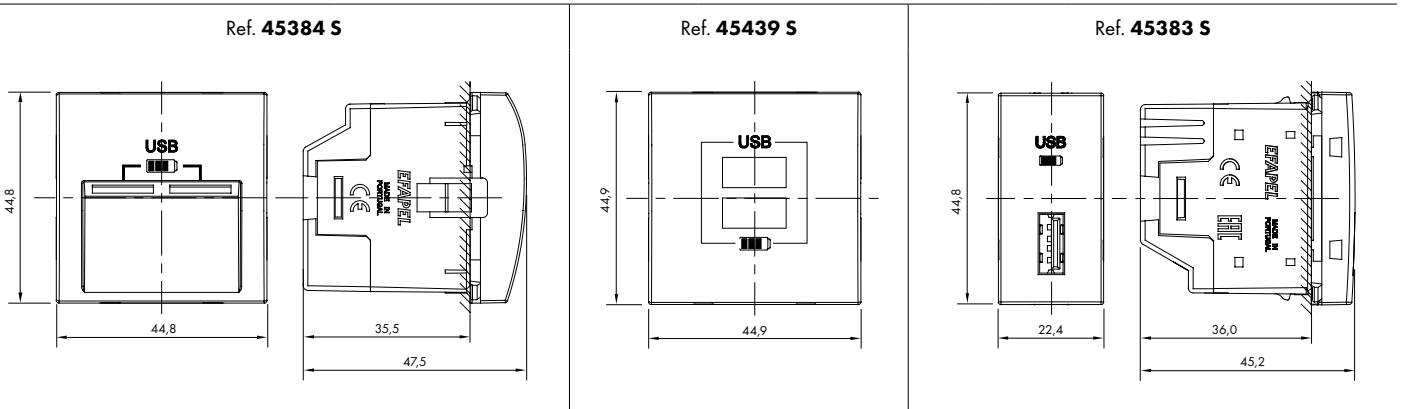


- Ref. **45384 S** - Double USB Charger Type A with 20° Outputs - 2 Modules - 2400mA.
- Ref. **45439 S** - Double USB Charger Type A - 2 Modules - 2100mA.
- Ref. **45383 S** - USB Charger Type A - 1 Module - 1500mA.
- Allows you to power / charge loads powered via USB port, such as mobile phones / smartphones, tablets, powerbanks, etc.
- MEC Q45 Mechanisms.

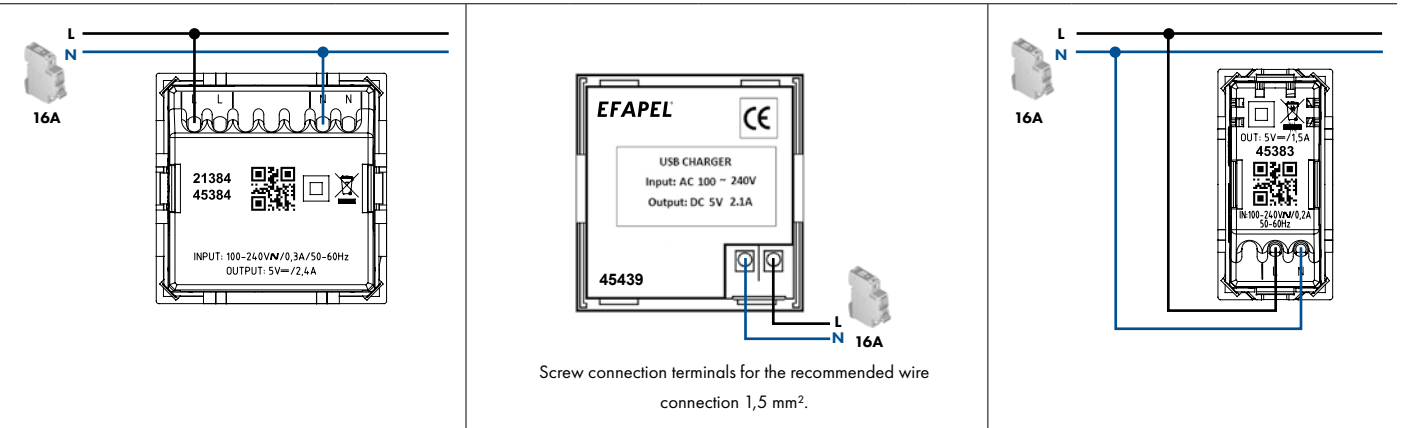
CHARACTERISTICS

	Ref. <b>45384 S</b>	Ref. <b>45439 S</b>	Ref. <b>45383 S</b>
Technical Thermoplastic Mechanisms - non-conductive resistant material			
Input voltage	<b>100-240V~ - 50/60Hz</b>	<b>100-240V~ - 50/60Hz</b>	<b>100-240V~ - 50/60Hz</b>
Output voltage	5V---	5V---	5V---
Input maximum current	2,4A	2,1A	1,5A
Efficiency	80%	78%	80%
Standby Consumption	< 0,1W	< 0,2W	< 0,1W
Output	2xUSB A type	2xUSB A type	1xUSB A type

DIMENSIONS (mm)



CONNECTION DIAGRAMS



MEC Q45 - POWER SOCKETS

DESCRIPTION

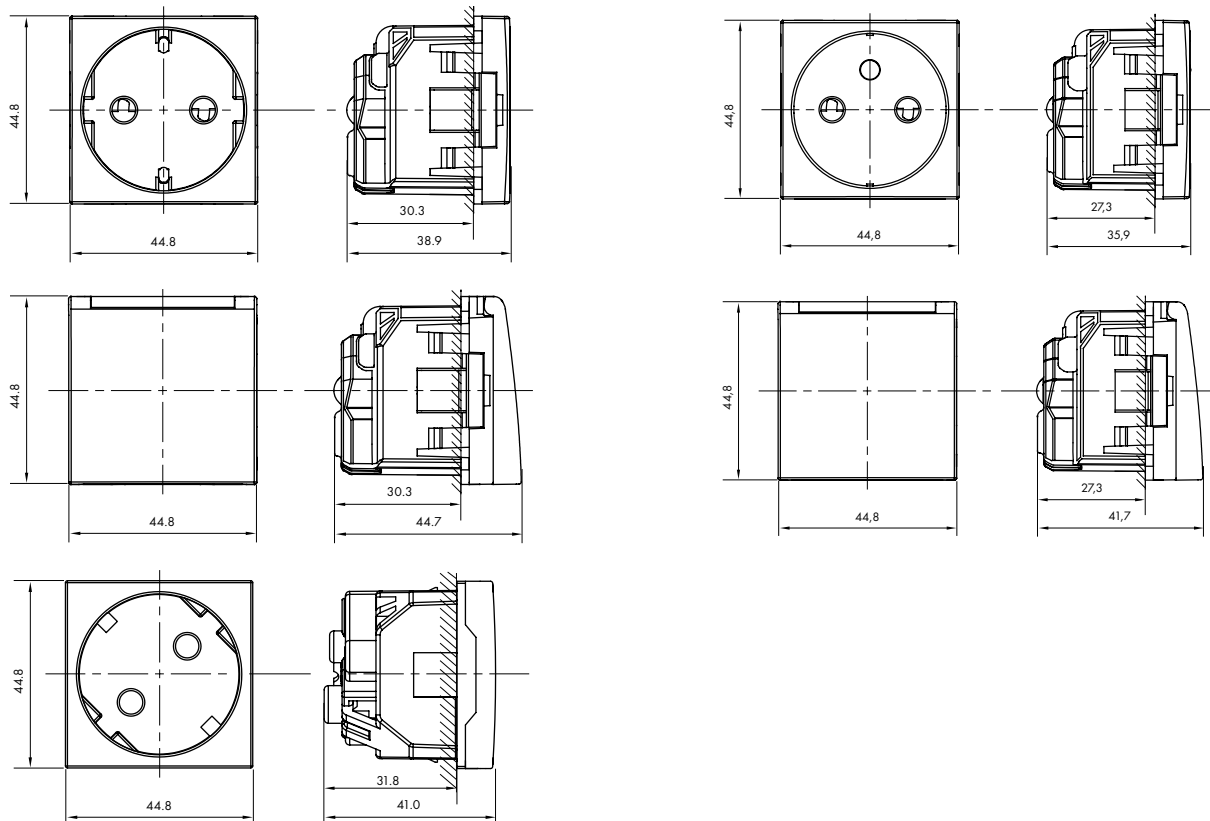


- **MEC Q45** Mechanisms.
- Installation:
  - Flush-mounted (Installed in apparatus box);
  - Surface (Installed in Surface Box);
  - Technical Trunking:
    - Mini Cable Trunking (Using the Surface Box with trunking adaptor);
    - Distribution Trunking (Using the **MEC Q45** Modular Adapter).
- Available in the colours: **BR** - White (RAL 9003), **BM** - Matte White, **AL** - Aluminium, **PM** - Matte Black, **VM** - Red, **LR** - Orange and **VD** - Green.

CHARACTERISTICS

- **Technical Thermoplastic Mechanisms - non-conductive resistant material.**
- **Power Sockets**
  - **Schuko Socket:**
    - 16A - 250V~ - Connections with **screw terminals** or **screwless terminals**. It allows the usage of rigid and flexible cable.
    - In accordance with IEC 60884-1; DIN VDE 0620-1 Standards.
  - **French Socket:**
    - 16A - 250V~ - Connections with **screw terminals** or **screwless terminals**. It allows the usage of rigid and flexible cable.
    - In accordance with IEC 60884-1; NF C 61-314 Standards.

DIMENSIONS (mm)



MEC Q45 - POWER SOCKETS

DESCRIPTION

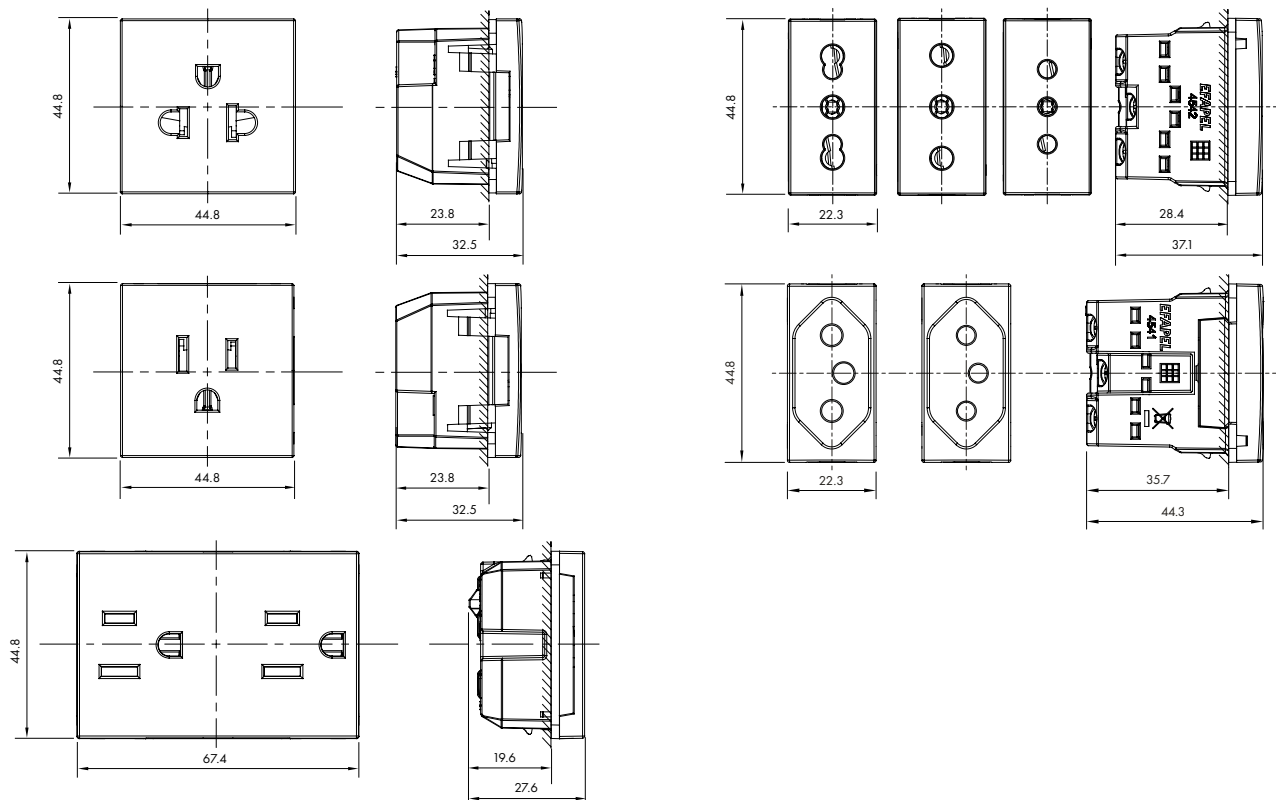


- **MEC Q45** Mechanisms of 1, 2 and 3 modules.
- Installation:
  - Flush-mounted (Installed in apparatus box);
  - Surface (Installed in Surface Box);
  - Technical Trunking:
    - Mini Cable Trunking (Using the Surface Box with trunking adaptor);
    - Distribution Trunking (Using the **MEC Q45** Modular Adapter).
- Available in the colors **BR** - White (RAL 9003), **BM** - Matte White, **AL** - Aluminium, **PM** - Matte Black and **VM** - Red.

CHARACTERISTICS

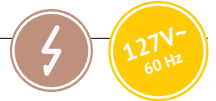
- **Technical Thermoplastic Mechanisms - non-conductive resistant material.**
- **Power Sockets**
  - **Euro-American Sockets:**
    - 15A - 127V~/16A - 250V~.
    - In accordance with ANSI; NEMA WD-6 (Figure 5-15) and IEC 60884-1 Standards.
  - **American NEMA Socket:**
    - 15A - 127V~.
    - In accordance with SASO 2204 and NEMA WD-6 (Figure 5-15) Standards.
  - **Double American Socket:**
    - 15A - 127V~.
    - In accordance with SASO 2204 and NEMA WD-6 (Figure 5-15) Standards.
- **Italian Socket:**
  - 10A - 16A - 10A/16A - 250V~.
  - Screw terminals connectors.
  - In accordance with IEC 60884-1 (CEI 23-50) Standard.
- **Brazilian Socket:**
  - 10A - 20A - 250V~.
  - In accordance with IEC 60884-1 (ABNT NBR 14136) Standard.

DIMENSIONS (mm)



DOUBLE AMERICAN GFCI SOCKET 2P+T 127V 20A/15A GFCI

DESCRIPTION



DOUBLE AMERICAN GFCI SOCKET 2P+T 127V 20A/15A GFCI

- Ref. 41148/41149 X - MEC Q45 Mechanisms:
  - Ref. 41148 X - American standard 20A socket with shutter and ground fault circuit interrupter
  - Ref. 41149 X - American standard 15A socket with shutter and ground fault circuit interrupter
- Installation:
  - Flush-mounted (Installed in apparatus box - 3 modules);
  - Surface (Installed in Surface Box - 3 modules);
  - Cable Trunking:
    - Mini Cable Trunking (with Surface Box - 3 modules).
- Available in the colors: **BL** - White and **NG** - Black.

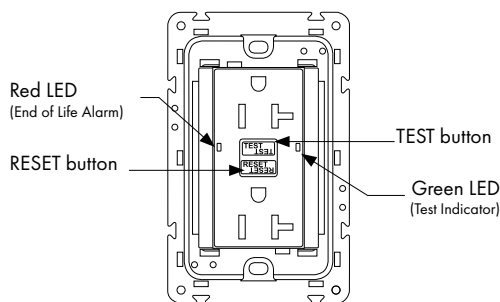
CHARACTERISTICS

- Power: 127V~ - 60Hz;
- Current: 20A/15A;
- Tripping current: 5±1 mA;
- Tripping time: 0,025 seg;
- Cut-off power: 10kA/6kV;
- Operating temperature: -35°C to 65°C;
- UL943-2006 Standard Class A;
- ANSI/NEMA: 5-20R, WD6.

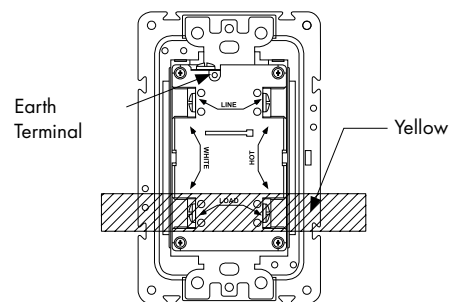
OPERATION

- GREEN LED ON - Operating OK;
- RED LED BLINKING - Carrying out differential protection SELF TEST, carried out every 1-10 minutes;
- RED LED ON - ALARM on / End of Life (no differential protection /ground protection verification / replace GFCI).

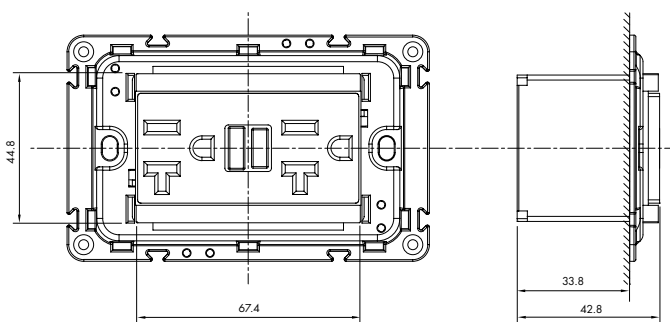
FRONT VIEW



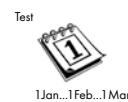
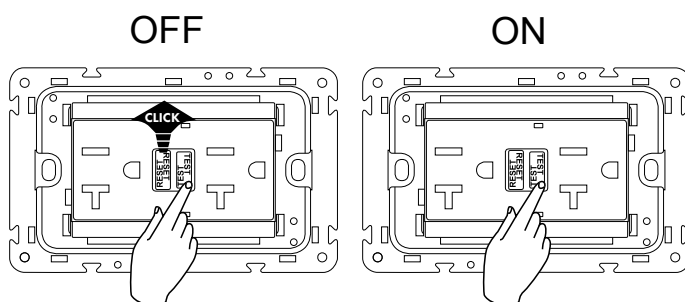
REAR VIEW



DIMENSIONS (mm)



MONTHLY PROCEDURE TEST



Month	01	02	03	04	05
Year 2020	√	√			
2021					
2022					
2023					
2024					

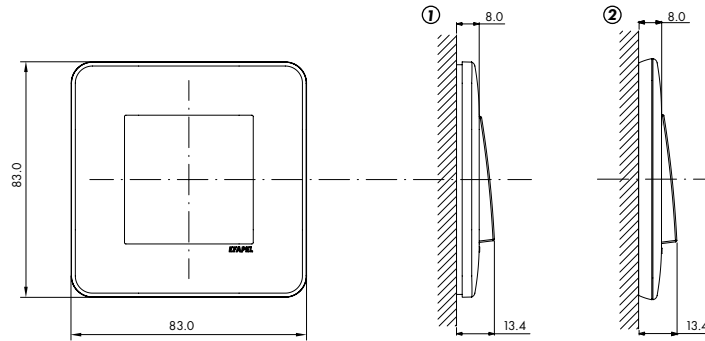
Test Record



EUROPEAN MATRIX FRAMES - DIMENSIONS (mm)

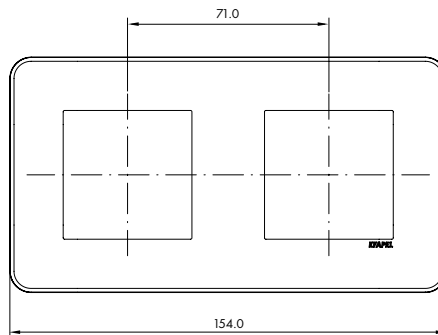
SINGLE

REF. 42910 T - ① BASE - AQUARELLA | ② LYRA, LIGNA, METALLUM)



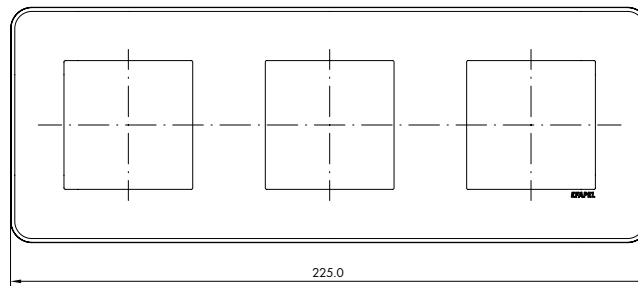
DOUBLE

REF. 42920 T - ① BASE - AQUARELLA | ② LYRA, LIGNA, METALLUM)



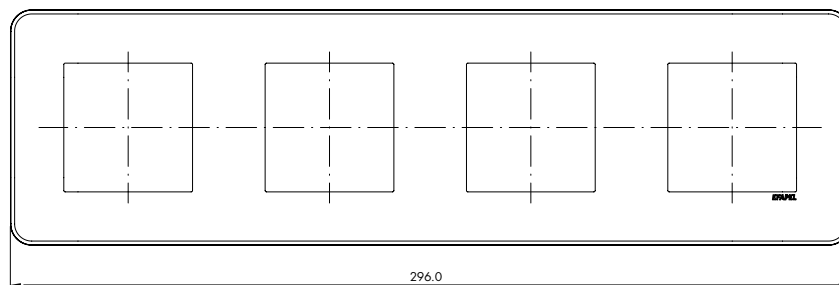
TRIPLE

REF. 42930 T - ① BASE - AQUARELLA | ② LYRA, LIGNA, METALLUM)



4-GANG

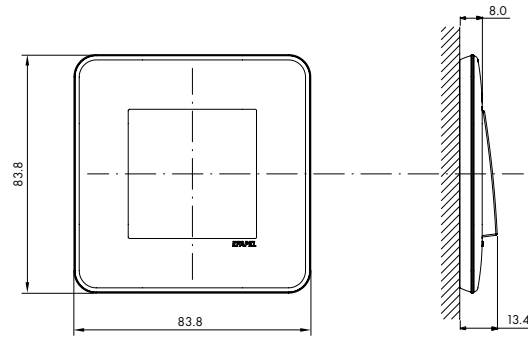
REF. 42940 T - ① BASE - AQUARELLA | ② LYRA, LIGNA, METALLUM)



EUROPEAN MATRIX FRAMES - DIMENSIONS (mm)

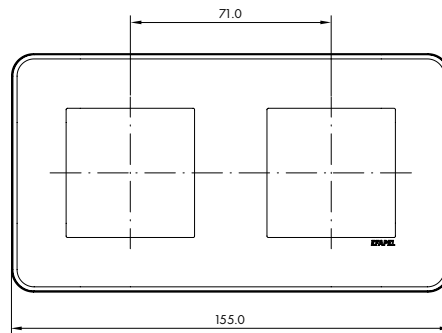
SINGLE

REF. 42910 T - (CROMA)



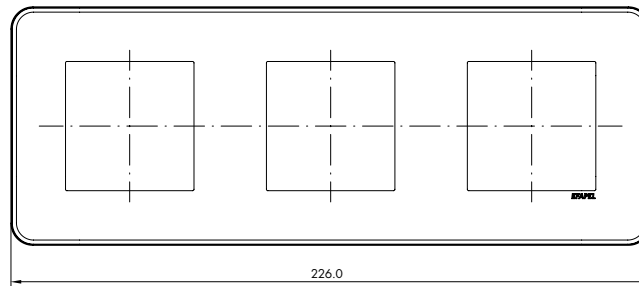
DOUBLE

REF. 42920 T - (CROMA)



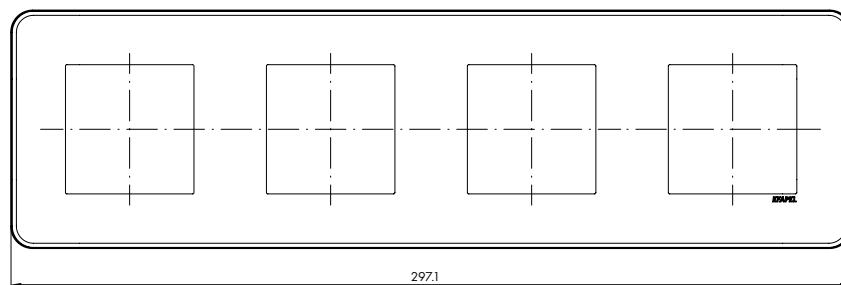
TRIPLE

REF. 42930 T - (CROMA)



4-GANG

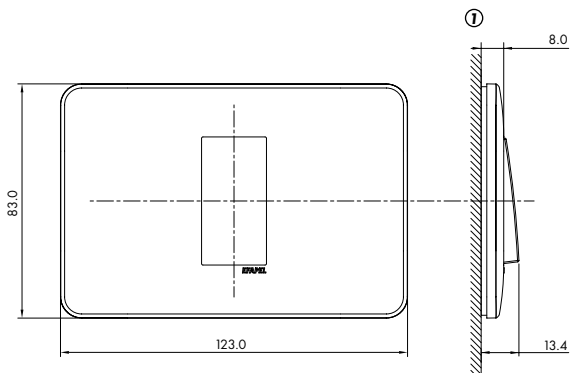
REF. 42940 T - (CROMA)



ITALIAN MATRIX FRAMES - DIMENSIONS (mm)

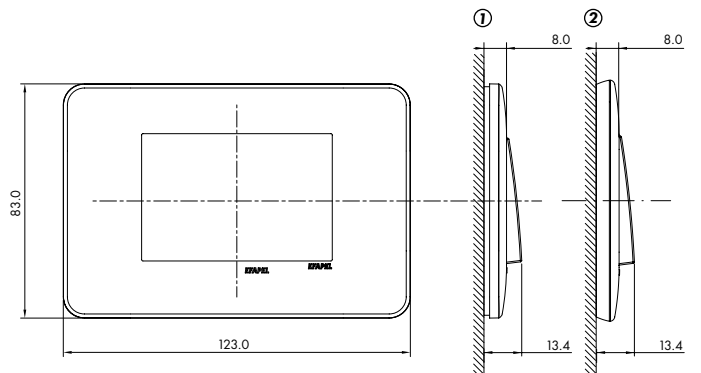
1 MODULE

REF. 41913 T (010) - ① BASE - AQUARELLA



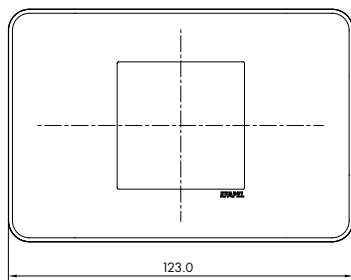
3 MODULES

REF. 41916 T - ① BASE - AQUARELLA | ② LYRA, LIGNA, METALLUM



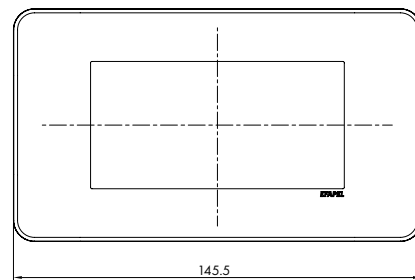
2 MODULES

REF. 41914 T - ① BASE - AQUARELLA



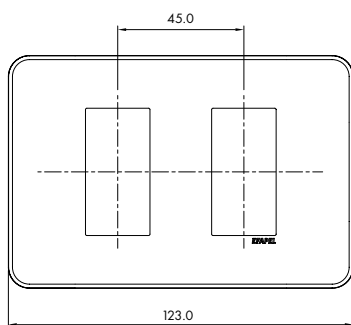
4 MODULES

REF. 41917 T - ① BASE - AQUARELLA | ② LYRA, LIGNA, METALLUM



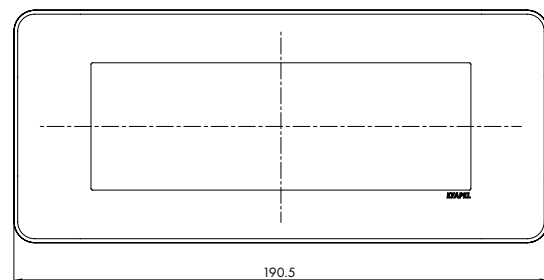
2 MODULES

REF. 41915 T (101) - ① BASE - AQUARELLA



6 MODULES

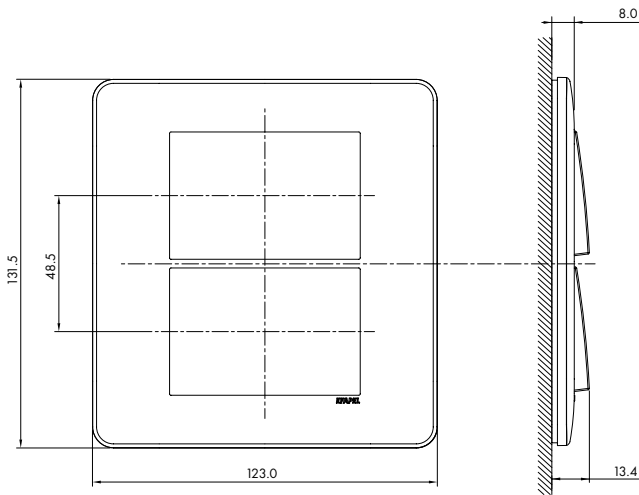
REF. 41918 T - ① BASE - AQUARELLA | ② LYRA, LIGNA, METALLUM



ITALIAN MATRIX FRAMES - DIMENSIONS (mm)

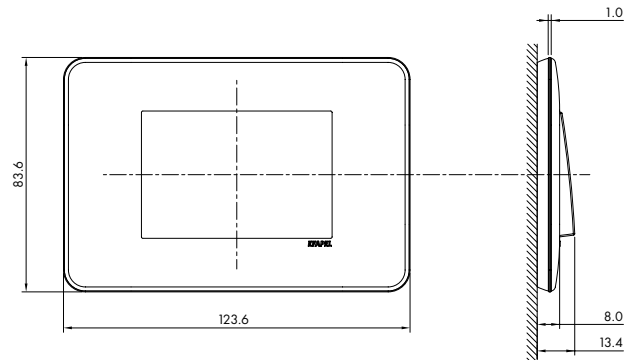
3+3 MODULES

REF. 41926 T - ① BASE - AQUARELLA | ② LYRA, LIGNA, METALLUM



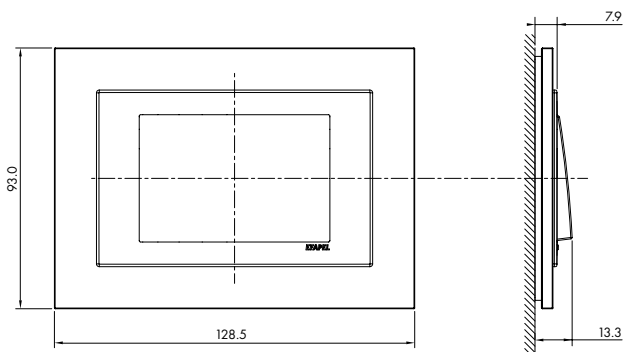
3 MODULES

REF. 41916 T - (CROMA)



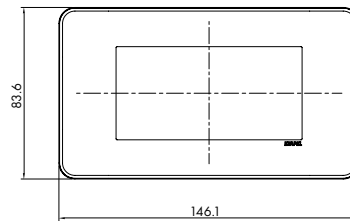
3 MODULES

REF. 41916 T - (CRYSTAL)



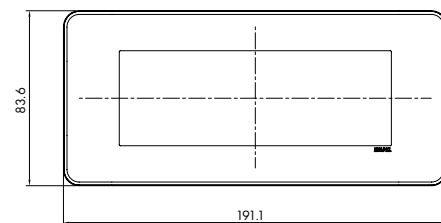
4 MODULES

REF. 41917 T - (CROMA)



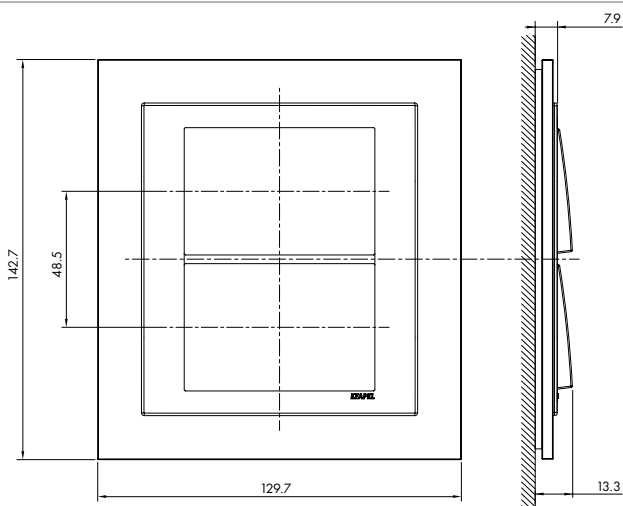
6 MODULES

REF. 41918 T - (CROMA)



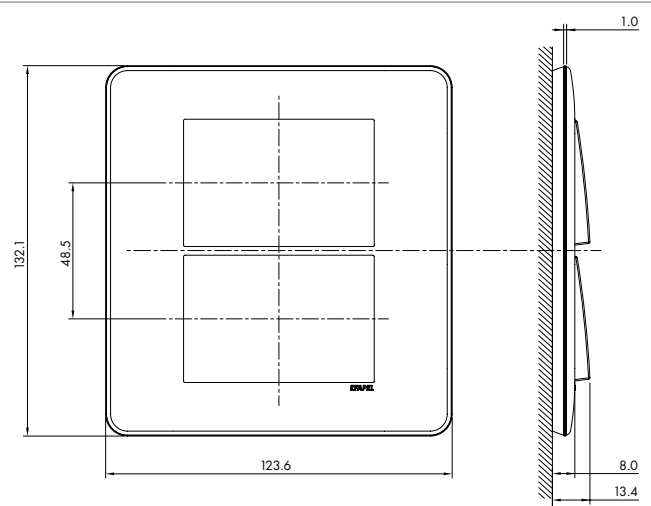
3+3 MODULES

REF. 41926 T - (CRYSTAL)



3+3 MODULES

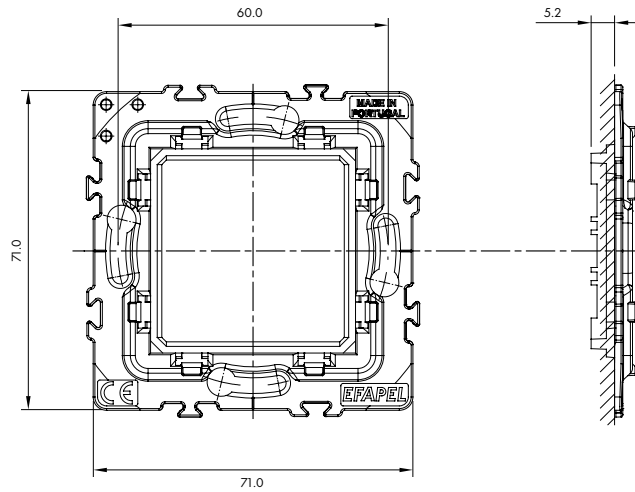
REF. 41926 T - (CROMA)



EUROPEAN MATRIX SUPPORT FRAMES - DIMENSIONS (mm)

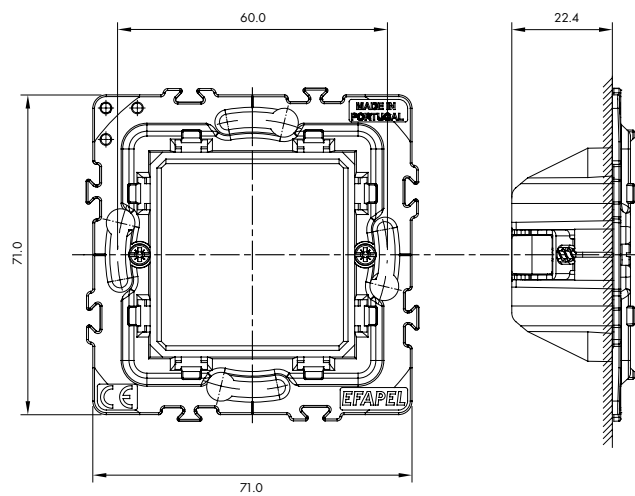
SINGLE WITHOUT CLAWS

REF. 42993



SINGLE WITH CLAWS

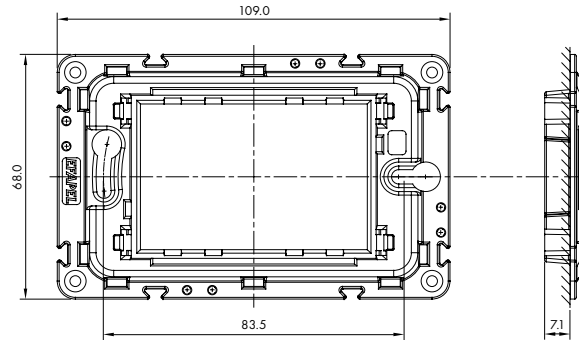
REF. 42994



ITALIAN MATRIX SUPPORT FRAMES - DIMENSIONS (mm)

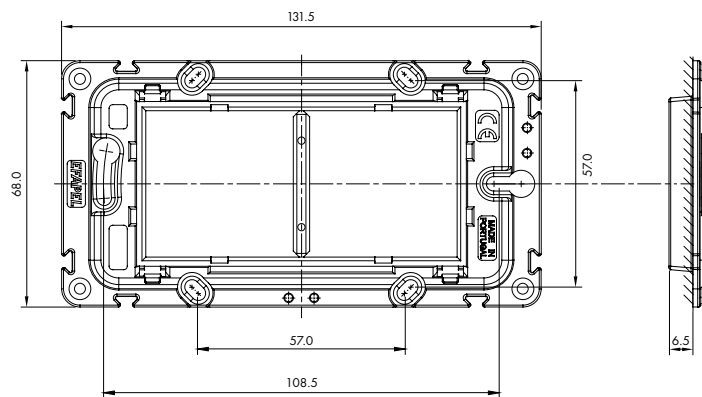
3 MODULES

REF. 41913 T (010) / 41914 T / 41915 T (101) / 41916 T (BASE, AQUARELLA, LYRA, LIGNA, METALLUM, CROMA AND CRYSTAL)



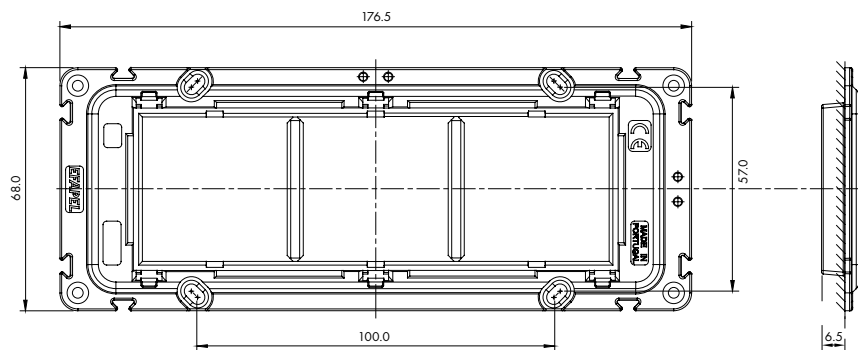
4 MODULES

REF. 41917 T (BASE, AQUARELLA, LYRA, LIGNA, METALLUM AND CROMA)



6 MODULES

REF. 41918 T (BASE, AQUARELLA, LYRA, LIGNA, AND METALLUM)



3+3 MODULES

REF. 41926 T (BASE, AQUARELLA, LYRA, LIGNA, METALLUM, CROMA AND CRYSTAL)

